

[See all 13 Products in Family](#)

40X Oil Immersion Objective, Nikon CFI Plan Fluor

See More by [Nikon](#)



Stock #75-343 **NEW** 1 In Stock

MRP ₹7,93,314

! Price inclusive of all taxes

ADD TO CART

| Volume Pricing | |
|----------------|-------------------------------|
| Qty 1+ | ₹7,93,314 each |
| Need More? | Request Quote |

Product Downloads

General

Model Number:
MRH01401

Compatible Tube Lens Focal Length (mm):
Focal Length: 200mm

Type:
Microscope Objective

Style:
Infinity Corrected

Manufacturer:

Physical & Mechanical Properties

0.625 **Field of View (mm):**

59.61 **Length excluding Threads (mm):**

33.5 **Maximum Diameter (mm):**

220 **Weight (g):**

Optical Properties

0.17 **Compatible Cover Glass Thickness (mm):**

0.16 **Horizontal Field of View, 1/2" Sensor:**

0.22 **Horizontal Field of View, 2/3" Sensor:**

40X **Magnification:**

1.30 **Numerical Aperture NA:**

0.24 **Working Distance (mm):**

25 **Field Number (mm):**

60.06 **Parfocal Length (mm):**

Oil **Immersion Liquid:**

Sensor

2/3" **Maximum Sensor Format:**

Threading & Mounting

M25 x 0.75 **Mounting Threads:**

Regulatory Compliance

[View](#) **Certificate of Conformance:**

Japan **Country of Origin:**

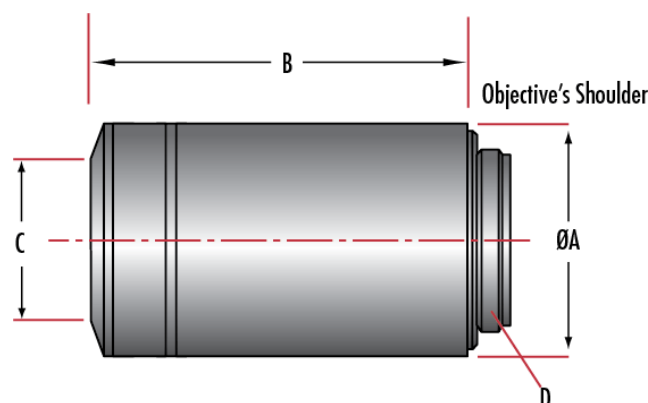
Imported By:
Edmund Optics India Private Limited
267, Greystone Building, Second Floor,
6th Cross Rd, Binnamangala,
Stage 1, Indiranagar, Bengaluru,
Karnataka, India 560038
Phone: +91- 80-6845 0000

Product Details

- Provide High Contrast Fluorescence Observation
- Ideal for Multiple Microscopy Techniques
- High Transmission from UV to the IR

Nikon CFI Plan Fluor Objectives feature high transmission from the ultraviolet to the infrared, along with exceptional flatness across the entire field of view. These objectives are ideal multipurpose objectives for a variety of microscopy techniques, including brightfield, fluorescence, polarizing, or DIC microscopy. These microscope objectives are suitable for high contrast fluorescence observation or for applications including photomicrography. Nikon CFI Plan Fluor Objectives have M25 x 0.75 mounting threads. The objectives are available in magnifications from 4X up to 60X.

Technical Information



| Dimensions (mm) | | | | | | | | |
|-----------------|--------------------|------------------|---------------|-----------------|------|-------|------|------------|
| Stock No. | Nikon Model Number | Immersion Liquid | Magnification | Parfocal Length | A | B | C | D |
| #75-343 | MRH01401 | Oil | 40X | 60.06 | 33.5 | 59.61 | 8.3 | M25 x 0.75 |
| #75-344 | MRH01902 | Oil | 100X | 60.06 | 30.0 | 59.71 | 6.1 | M25 x 0.75 |
| #88-378 | MRH00045 | N/A | 4X | 60.06 | 30.0 | 42.7 | 16.5 | M25 x 0.75 |
| #88-379 | MRH00105 | N/A | 10X | 60.06 | 30.0 | 42.4 | 18.0 | M25 x 0.75 |
| #88-380 | MRH00205 | N/A | 20X | 60.06 | 28.0 | 57.8 | 8.5 | M25 x 0.75 |
| #88-381 | MRH00405 | N/A | 40X | 60.06 | 30.0 | 59.2 | 10.0 | M25 x 0.75 |
| #88-382 | MRH00602 | N/A | 60X | 60.06 | 31.5 | 59.2 | 5.0 | M25 x 0.75 |