

## 40mm x 40mm Mounting Stage Size, Metric Z-Axis Stage



Stock #55-031 **20+ In Stock**

- 1 + MRP ₹64,066

Price inclusive of all taxes

**ADD TO CART**

### Volume Pricing

Qty 1-4	₹64,066 each
Qty 5+	₹56,549 each
Need More?	<a href="#">Request Quote</a>

### Product Downloads

### General

Metric **Type:**

### Physical & Mechanical Properties

Linear (Z) **Type of Movement:**

Slide-Fit **Guide System:**

**Stage Size (mm):**

40 x 40	<b>Center Hole:</b>
None	
	<b>Construction:</b>
Aluminium Stage	
	<b>Height Adjustment (mm):</b>
±2.5	
	<b>Load Capacity (kg):</b>
2	
	<b>S.H.C.S. C'bore:</b>
(3) 3.5mm Diameters on 32mm Sq.	
	<b>Straight Line Accuracy (µm):</b>
3	
	<b>Travel Per Knob Rotation (mm):</b>
0.5	
	<b>Weight (kg):</b>
0.15	

## Hardware & Interface Connectivity

	<b>Type of Drive:</b>
Metric Micrometer	

## Threading & Mounting

	<b>Mounting Threads:</b>
(7) M3 x 0.5	

## Regulatory Compliance

<a href="#">Exempt</a>	<b>RoHS 2015:</b>
<a href="#">View</a>	<b>Certificate of Conformance:</b>
<a href="#">Contains SVHC(s)</a>	<b>Reach 247:</b>
Japan	<b>Country of Origin:</b>
Edmund Optics India Private Limited 267, Greystone Building, Second Floor, 6th Cross Rd, Binnamangala, Stage 1, Indiranagar, Bengaluru, Karnataka, India 560038 Phone: +91- 80-6845 0000	<b>Imported By:</b>

## Product Details

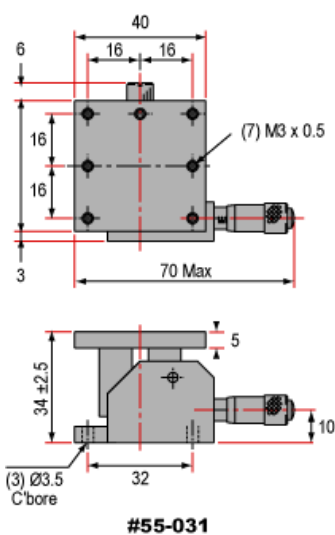
- Fine Micrometer Movement
- Available in Four Sizes
- Black Anodized Aluminum
- Locking Knob

Metric Z-Axis Stages provides micrometer movement for optical components. One rotation of the knob equals 0.5mm. Height adjustment is ±2.5mm for 25mm and 40mm stages and ±5.0mm for 60mm and 80mm stages. Metric Z-Axis Stages are available are constructed of black anodized aluminum and feature a locking knob. The stages are available in four sizes.

40mm square, 8mm thick top mounting adapter plate [#58-290](#) mounts to M3 holes and provides a counterbore for 1/4-20 or M6 socket head cap screw. Compatible with the following stages: [#55-029](#), [#55-030](#), [#55-031](#), [#55-838](#), and [#55-839](#).

60mm square Z-Axis Stage ([#55-032](#)) and 80mm square Z-Axis Stage ([#56-335](#)) are compatible with the following stages: [#54-687](#), [#55-459](#), [#55-840](#), [#55-841](#), and [#56-335](#).

## Technical Information



Units: mm

