

[See all 102 Products in Family](#)

**TECHSPEC® 40.0mm Diameter x 40.0mm FL, 1550nm V-Coat, PCX Lens**



633nm Laser Line Coated Plano-Convex(PCX) Lenses



Stock #26-174 **13 In Stock**

[Other Coating Options](#)

⊖ 1 ⊕ ₹5,333

**ADD TO CART**

Volume Pricing	
Qty 1-9	₹5,333 each
Qty 10-25	₹4,788 each
Qty 26-49	₹4,282 each
Need More?	<a href="#">Request Quote</a>

Product Downloads

**General**

Plano-Convex Lens **Type:**

**Physical & Mechanical Properties**

**Diameter (mm):**

40.00 +0.0/-0.025

Centering (arcmin):  
<1

Center Thickness CT (mm):  
8.70 ±0.10

Edge Thickness ET (mm):  
1.50

Clear Aperture CA (mm):  
39

Bevel:  
Protective as needed

### Optical Properties

Effective Focal Length EFL (mm):  
40.00 @ 587.6nm

Back Focal Length BFL (mm):  
35.13

Coating:  
Laser V-Coat (1550nm)

Coating Specification:  
R<sub>abs</sub> <0.25% @ 1550nm

Substrate:   
N-SF11

Surface Quality:  
40-20

Power (P-V) @ 632.8nm:  
1.5λ

Irregularity (P-V) @ 632.8nm:  
λ/4

Focal Length Tolerance (%):  
±1

Radius R<sub>1</sub> (mm):  
31.39

f#:  
1

Numerical Aperture NA:  
0.50

Design Wavelength DWL (nm):  
1550

Damage Threshold, By Design:   
5 J/cm<sup>2</sup> @ 1550nm, 10ns

### Regulatory Compliance

RoHS 2015:  
Compliant

Certificate of Conformance:  
[View](#)

Reach 235:  
Compliant

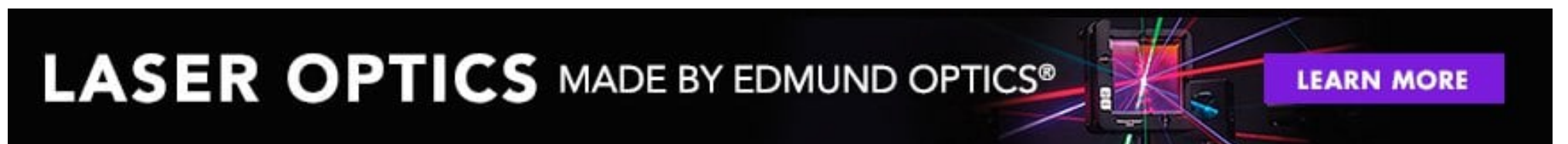
Country of Origin:  
Japan

Imported By:  
Edmund Optics India Private Limited

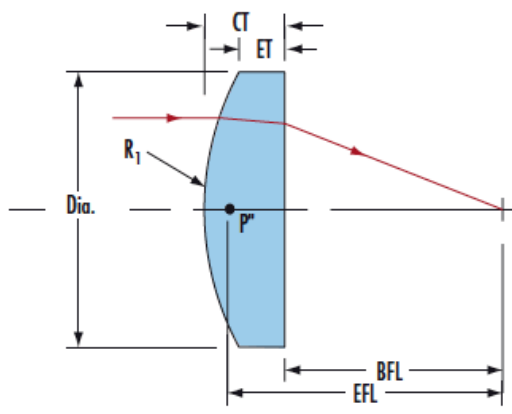
### Product Details

- <0.25% Reflection at Design Wavelength
- Coatings Available for Diode, HeNe, and Nd:YAG Laser Sources
- BBAR Coating Options Also Available: [uncoated](#), [MgF<sub>2</sub>](#), [VIS 0°](#), [VIS-NIR](#), [NIR I](#), [NIR II](#)
- [405nm](#), [532nm](#), [633nm](#), [785nm](#), [980nm](#), [1064nm](#), and 1550nm V-Coated Options Offered

TECHSPEC® 1550nm Laser Line Coated Plano-Convex (PCX) Lenses are designed for maximum throughput at the specified laser wavelength. These lenses are ideal for collecting and focusing light from laser sources and their corresponding harmonics. With a maximum reflection of <0.25% per surface at the design wavelength, the lenses will provide superior transmission in applications utilizing multiple optical components. TECHSPEC® 1550nm Laser Line Coated Plano-Convex (PCX) Lenses are available Laser V-Coated in a range of other wavelengths: [405nm](#), [532nm](#), [633nm](#), [785nm](#), [980nm](#), and [1064nm](#). Other coating options are available, including [uncoated](#), [MgF<sub>2</sub>](#), [VIS 0°](#), [VIS-NIR](#), [NIR I](#), and [NIR II](#).



### Technical Information



## Custom

Edmund Optics offers comprehensive custom manufacturing services for optical and imaging components tailored to your specific application requirements. Whether in the prototyping phase or preparing for full-scale production, we provide flexible solutions to meet your needs. Our experienced engineers are here to assist—from concept to completion.

Our capabilities include:

- Custom dimensions, materials, coatings, and more
- High-precision surface quality and flatness
- Tight tolerances and complex geometries
- Scalable production—from prototype to volume

Learn more about our [custom manufacturing capabilities](#) or submit an inquiry [here](#).