

[See all 8 Products in Family](#)

75.0/76.2mm Optic Dia., Optical Cell Kinematic Mount



Stock #53-965 **5 In Stock**

1 MRP ₹59,525

Price inclusive of all taxes

ADD TO CART

Volume Pricing

Qty 1-9	₹59,525 each
Qty 10-19	₹56,629 each
Qty 20-49	₹54,955 each
Need More?	Request Quote

Product Downloads

General

Adjustable - Tip-Tilt

Type:

Circular

Type of Optics:

Range:

5°

3.25 x 20 TPI **Inner Diameter (inches):**

Optic Holding Style:
[#36-466](#) Required

Physical & Mechanical Properties

2.81 ([#36-466](#)) **Clear Aperture CA (inches):**

71.4 ([#36-466](#)) **Clear Aperture CA (mm):**

85.9 **Optical Centerline (mm):**

5.75 x 3.00 x 6.25 **Dimensions (inches):**

146.1 x 76.2 x 158.8 **Dimensions (mm):**

3.0 **Weight (lbs):**

Construction:
Black Anodized Aluminum, Stainless Steel

3.00 **Diameter of Compatible Optics (inches):**

3.38 **Optical Centerline (inches):**

22.0 ([#36-466](#)) **Max. Thickness of Compatible Optics (mm):**

0.015 **Adjustment Screw Pitch (inches):**

Threading & Mounting

75.00 - 76.20 **Size of Compatible Optics (mm):**

Regulatory Compliance

RoHS 2015:
[Compliant](#)

Certificate of Conformance:
[View](#)

United States **Country of Origin:**

Imported By:
Edmund Optics India Private Limited
267, Greystone Building, Second Floor,
6th Cross Rd, Binnamangala,
Stage 1, Indiranagar, Bengaluru,
Karnataka, India 560038
Phone: +91-80-6845 0000

Product Details

- Robust Kinematic Mounts for Larger Diameter Optics
- Ball Pivot and Fine Pitch Screws Provide Pitch and Roll
- 50% Greater Resolution than Micrometer Adjustments

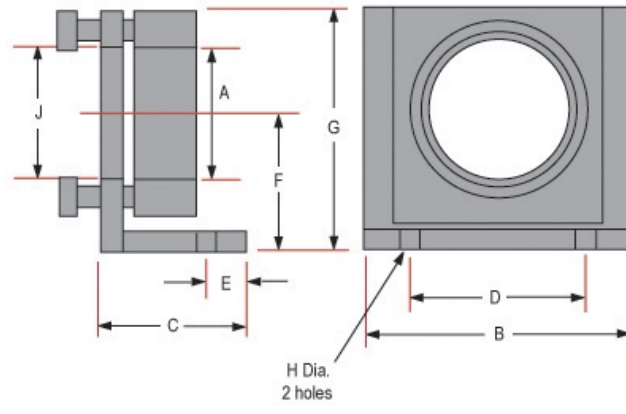
Optical Cell Kinematic Mounts provide highly stable kinematic movement with two axis tilt (pitch and roll) provided by a precise ball pivot adjustment and an orthogonal three-point suspension. Adjustment is made by three 64-pitch screws (two 64-pitch screws for 1-2" diameter model). For the 6" diameter model, adjustment is made by two 64-pitch screws for and with three 32-pitch screws for 8" up to 12.5" diameter models. Optical Cell Kinematic Mounts feature fine pitch screws, which permit 50% greater resolution than a micrometer. An angled base on the mount allows for stand-alone installation and mounting. These mounts have integral optic cell design allowing optics to be held undistorted.

Note: For mounting 12" diameter optics in our 12.5" Diameter Optical Mount, use the 12.5" to 12" Adapter Kit (#12-226). The Adapter Kit and 12.5" Diameter Optical Mount are offered together as #12-227.

Technical Information

Optic Diameter	A	B	C	D	E	F	G	H	I	J	K	Stock No.
1-2"	2.25-20 TPI	3.75	2.00	2.00	0.38	2.00	3.50	0.28	-	2.12	-	#53-964
3"	3.25-20 TPI	5.75	3.00	4.00	1.25	3.38	6.25	0.28	-	5.00	-	#53-965
4.25"	4.625-20 TPI	5.75	3.00	4.00	1.25	3.38	6.25	0.28	-	5.00	-	#57-872

1" - 4.25" Angled Optical Cell Mounts



Units: inches

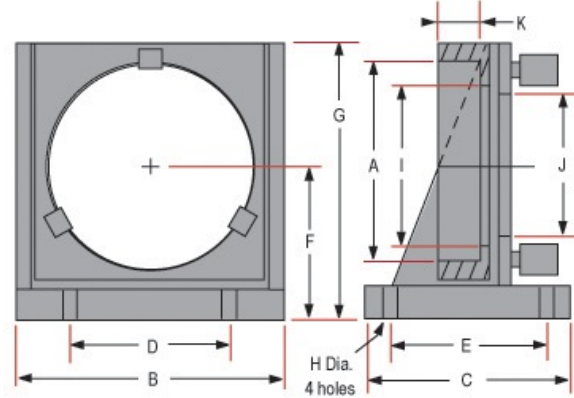
4.25" Straight Optical Cell Mount



Units: inches

Optic Diameter	A	B	C	D	E	F	G	H	I	J	K	Stock No.
6"	6.187-32 TPI	8.00	6.00	5.00	5.00	4.50	8.00	0.28	5.75	6.00	1.19	#36-474
8"	8.06	12.00	7.00	10.00	6.00	6.25	11.50	0.28	7.62	9.00	1.60	#36-476
10"	10.06	16.00	8.00	12.00	6.00	8.00	15.00	0.53	9.58	12.50	1.75	#36-478
12.5"	12.56	16.00	8.00	12.00	6.00	8.00	15.00	0.53	12.08	12.50	2.13	#36-480

8" - 12.5" Angled Optical Cell Mounts



Units: inches