

[See all 20 Products in Family](#)

TECHSPEC® 35mm, VIS 0° Coated, Penta Prism



Stock #48-601 CLEARANCE **20+ In Stock**

1 MRP ₹9,029

Price inclusive of all taxes

ADD TO CART

Volume Pricing	
Qty 1+	₹9,029 each
Need More?	Request Quote

Product Downloads

General

Penta Prism **Type:**

Physical & Mechanical Properties

35.00 **Length (mm):**

±0.10 **Dimensional Tolerance (mm):**

Protective as needed **Bevel:**

35.00 Length of Legs (mm):

Optical Properties

Coating:
VIS 0° & Aluminized

Substrate:
N-BK7

Surface Quality:
60-40

Image Orientation:
Right-Handed

Coating Specification:
Entrance/Exit Faces: $R_{avg} \leq 0.4\%$ @ 425 - 675nm
Reflecting Surfaces: $R_{avg} > 85\%$ @ 400 - 700nm
w/Black Overpaint

Ray Deviation (°):
90

Wavelength Range (nm):
425 - 675

Damage Threshold, By Design:
Entrance & Exit Faces: 5 J/cm² @ 532nm, 10ns
Reflecting Surfaces: 0.3 J/cm² @ 532 & 1064nm,
10ns

Beam Deviation Tolerance (arcmin):
±5

Power (fringes) @ 632.8nm:
1.00

Irregularity (fringes) @ 632.8nm:
0.25

Regulatory Compliance

RoHS 2015:
Compliant

Reach 223:
Compliant

Certificate of Conformance:
[View](#)

Country of Origin:
Singapore

Imported By:
Edmund Optics India Private Limited
267, Greystone Building, Second Floor,
6th Cross Rd, Binnamangala,
Stage 1, Indiranagar, Bengaluru,
Karnataka, India 560038
Phone: +91- 80-6845 0000

Need different specs or modifications?

Edmund Optics offers comprehensive custom manufacturing services for optical and imaging components tailored to your specific application requirements. Whether in the prototyping phase or preparing for full-scale production, we provide flexible solutions to meet your needs. Our experienced engineers are here to assist—from concept to completion.

Our capabilities include:

- Custom dimensions, materials, coatings, and more
- High-precision surface quality and flatness
- Tight tolerances and complex geometries
- Scalable production—from prototype to volume

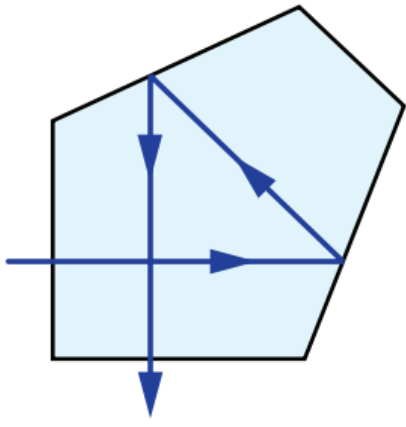
Learn more about our [custom manufacturing capabilities](#) or submit an inquiry [here](#).

Product Details

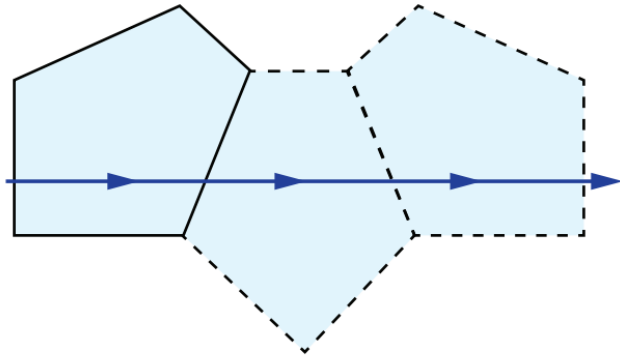
- Ray Deviation of 90°
- Right Handed Image
- Optical Tool for Defining a Right Angle
- Additional [Penta Prism](#) Options Available

TECHSPEC® N-BK7 Penta Prisms are five-sided prisms featuring a ray deviation of 90° and a right-handed image. The reflecting surfaces are aluminized. Slight movement of the prism does not affect the true right angle at which light rays are reflected, making a penta prism the ideal optical tool for defining a right angle in an optical system. TECHSPEC® N-BK7 Penta Prisms are made from precision N-BK7 for use in a variety of visible light applications. These prisms are offered with a VIS 0° or MgF2 coating, in a variety of sizes.

Technical Information

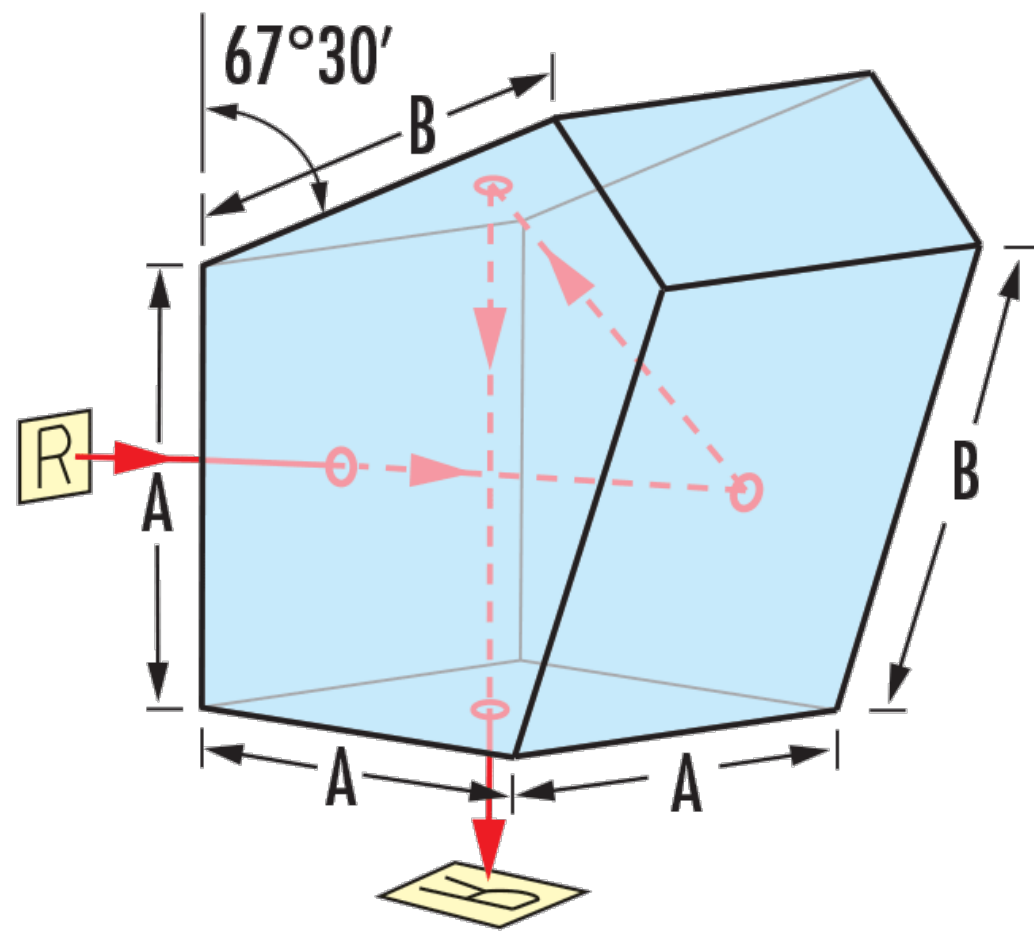


Penta Prism Ray Path



Penta Prism Tunnel Diagram

Stock No.	Coating	Dimensions	
		A	B
#85-159	MS 0°	0.50	0.60
#85-160	MS 0°	1.00	1.20
#45-112	MgF ₂	5.00	6.10
#48-595	MS 0°		
#32-030	MgF ₂	10.00	11.95
#48-596	MS 0°		
#43-502	MgF ₂	15.00	15.96
#48-597	MS 0°		
#31-051	MgF ₂	20.00	21.65
#48-598	MS 0°		
#42-779	MgF ₂	25.00	27.90
#47-458	MgF ₂		
#48-599	MS 0°	30.00	32.47
#45-073	MgF ₂		
#48-600	MS 0°	35.00	37.88
#45-402	MgF ₂		
#48-601	MS 0°	40.00	43.30
#45-674	MgF ₂		
#48-602	MS 0°	45.00	48.71
#45-675	MgF ₂		
#48-603	MS 0°	50.00	54.12
#45-676	MgF ₂		
#47-459	MgF ₂		
#48-604	MS 0°		



;