

[See all 49 Products in Family](#)

**TECHSPEC® 35mm f/16, UCi Series Fixed Focal Length Lens**



35mm UCi Series Fixed Focal Length Lens



Stock #33-854 **14 In Stock**

⊖ 1 ⊕ MRP ₹24,957

**i** Price inclusive of all taxes

**ADD TO CART**

Volume Pricing	
Qty 1+	₹24,957 each
Need More?	<a href="#">Request Quote</a>

Product Downloads

**General**

UCi Series **Product Family:**

Fixed Focal Length Lens **Type:**

No **IR Cut Filter:**

## Physical & Mechanical Properties

Fixed Iris Option:

52.19 Length (mm):

26.5 Maximum Diameter (mm):

26.5 Outer Diameter (mm):

2.21 Maximum Rear Protrusion (mm):

52.19 Maximum Length (mm):

## Optical Properties

Horizontal Field of View @ Max Sensor Format:  
45.6mm - 11.9°

Field of View at Max Sensor Format:  
Horizontal: 45.6mm - 11.9°  
Vertical: 34.1mm - 8.9°  
Diagonal: 57.2mm - 14.8°

Horizontal Field of View, 1/1.8" Sensor:  
45.6mm - 11.9°

Horizontal Field of View, 1/2" Sensor:  
40.5mm - 10.6°

Horizontal Field of View, 1/2.5" Sensor:  
36.7mm - 9.6°

Horizontal Field of View, 1/3" Sensor:  
30.3mm - 7.9°

Horizontal Field of View, 1/4" Sensor:  
22.7mm - 6.0°

9.00 Maximum Image Circle (mm):

0.0046 Numerical Aperture NA, Object Side:

7 (5) Number of Elements (Groups):

35.00 Focal Length FL (mm):

200 - ∞ Working Distance (mm):

f/16 Aperture (f/#):

M4 MgF<sub>2</sub> Coating:

M4 MgF<sub>2</sub> Coating Specification:

34.01 Entrance Pupil Position (mm):

49.25 Object Space Principal Plane (mm):

-19.45 Image Space Principal Plane (mm):

-0.22 Maximum Distortion (%):

-46.71 Exit Pupil Position (mm):

VIS Lens Wavelength Range:

## Sensor

1/2.5" Optimized Sensor Format:

1/1.8" Maximum Sensor Format:

1.85 Pixel Size (μm):

## Threading & Mounting

N/A Filter Thread:

C-Mount Mount:

## Environmental & Durability Factors

Storage Temperature (°C):

-20 to +60

Type of Ruggedization:

Industrial (Fixed Aperture with Simplified Mechanics)

## Regulatory Compliance

Certificate of Conformance:

[View](#)

Country of Origin:

China

Imported By:

Edmund Optics India Private Limited  
267, Greystone Building, Second Floor,  
6th Cross Rd, Binnamangala,  
Stage 1, Indiranagar, Bengaluru,  
Karnataka, India 560038  
Phone: +91- 80-6845 0000

## Product Details

- Up to 1/1.8", C-Mount, S-Mount Lens
- Up to 12 MegaPixels, 1.85µm Pixel Size Sensors
- Instrumentation (UCi) versions of our UC Series Lenses with Streamlined Mechanical Designs and Fixed Apertures
- 4mm to 35mm Focal Length

TECHSPEC® UCi Series Fixed Focal Length Lenses utilize the same optics as the TECHSPEC UC Series Lenses and feature 4K resolution. These lenses are designed for small pixels  $\leq 2.2\mu\text{m}$  and offer a wide range of fixed apertures for a variety of applications. While optimized for 1/2.5" sensors, many focal length options can be used on sensors up to 1/1.8". TECHSPEC® UCi Series Fixed Focal Length Lenses are ideal for OEM applications that require small, robust, and lightweight imaging solutions.

**Note:** For adjustable aperture options, see our [TECHSPEC® UC Series Fixed Focal Length Lenses](#).

Edmund Optics has created a family of high-performance ultra-compact optical designs (the UC Series family) and developed 3 customized optomechanical solutions targeted for specific applications. These lens sub-families utilize the same optics as the UC Series lenses providing the same optical performance in a variety of optomechanical solutions to meet your application requirements:

**UC Series:** Features locking cam focus and iris adjustment in an ultra-compact design and is the most adjustable version of these optical designs; they are the typical high-quality machine vision lenses.

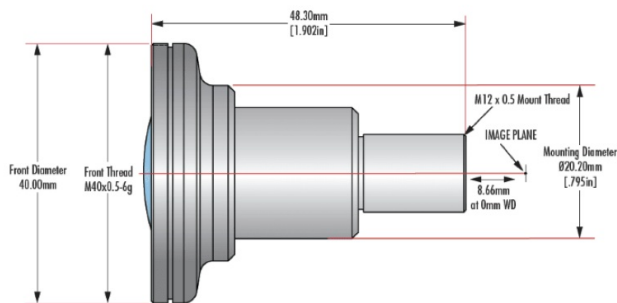
**UCi Series:** Simplified mechanics featuring fixed apertures with compact housing. [Industrial Ruggedization](#) for reduced size, cost, and locked focus.

**UCr Series:** All optics glued in place and a locking C-clamp focus ring. [Stabilized Ruggedization](#) for reduced pixel shift and improved focus stability.

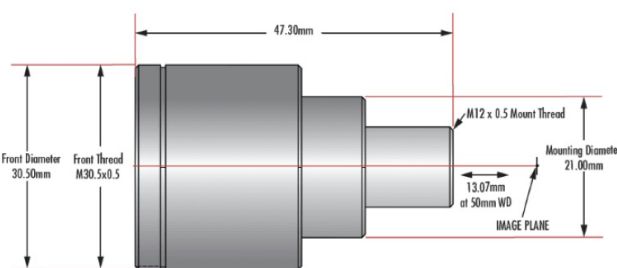
**UCw Series:** Waterproof, designed to meet IEC [Ingress Protection](#) Code IPX7 to withstand exposure to water up to 1 meter depth for 30 minutes.

## Technical Information

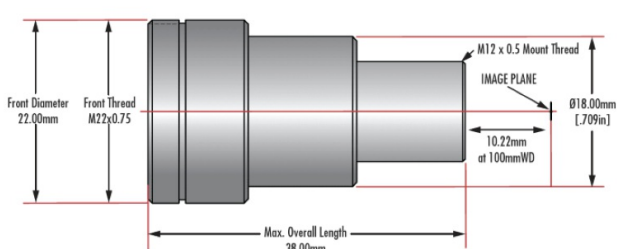
4mm Focal Length



6mm Focal Length



12mm Focal Length



### 16mm Focal Length



### 25mm Focal Length



### 35mm Focal Length



## Compatible Cameras