

**TECHSPEC® 30mm, Al & VIS 0°, High Tolerance N-BK7 Right Angle Prism**



N-BK7 High Tolerance Right Angle Prisms

Stock **#47-932** **20+ In Stock**

MRP ₹19,169

**Price inclusive of all taxes**

**ADD TO CART**

Volume Pricing	
Qty 1-5	₹19,169 each
Qty 6-25	₹15,335 each
Qty 26-49	₹14,326 each
Need More?	<a href="#">Request Quote</a>

Product Downloads

**General**

Right Angle Prism **Type:**

**Physical & Mechanical Properties**

+0/-0.1 **Dimensional Tolerance (mm):**

**Bevel:**

Protective as needed

42.40 Length of Hypotenuse (mm):

30.00 Length of Legs (mm):

## Optical Properties

±15 Angle Tolerance (arcsec):

VIS 0° & Aluminized Coating:

N-BK7 Substrate:

40-20 Surface Quality:

Left-Handed Image Orientation:

Coating Specification:  
Hypotenuse:  $R_{avg} > 85\%$  @ 400 - 700nm,  $R_{avg} > 90\%$  @ 400 - 2000nm  
Legs:  $R_{avg} \leq 0.4\%$  @ 425 - 675nm

90 Ray Deviation (°):

425 - 675 Wavelength Range (nm):

Damage Threshold, By Design:   
Hypotenuse:  $0.3 \text{ J/cm}^2$  @ 532nm & 1064nm, 10ns  
Legs:  $5 \text{ J/cm}^2$  @ 532nm, 10ns

1.25 Power (fringes) @ 632.8nm:

0.25 Irregularity (fringes) @ 632.8nm:

## Regulatory Compliance

Compliant RoHS 2015:

View Certificate of Conformance:

Compliant Reach 235:

Singapore Country of Origin:

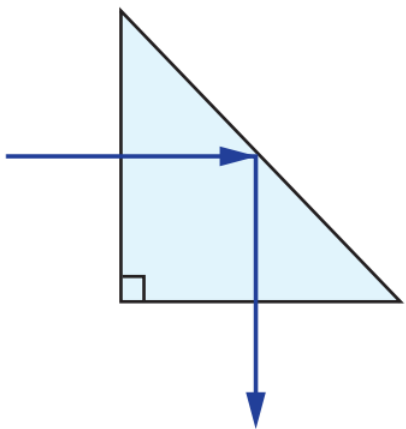
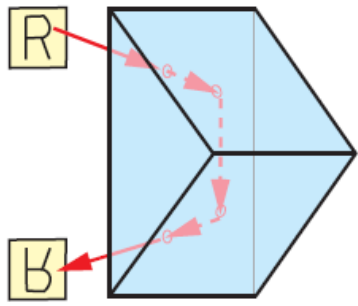
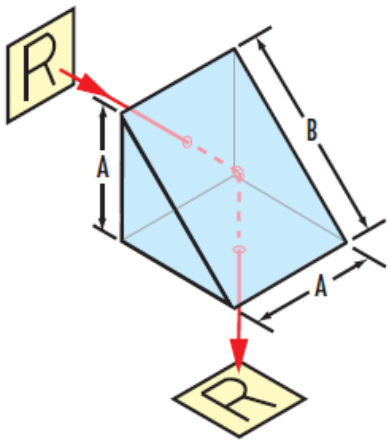
Imported By:  
Edmund Optics India Private Limited  
267, Greystone Building, Second Floor,  
6th Cross Rd, Binnamangala,  
Stage 1, Indiranagar, Bengaluru,  
Karnataka, India 560038  
Phone: +91- 80-6845 0000

## Product Details

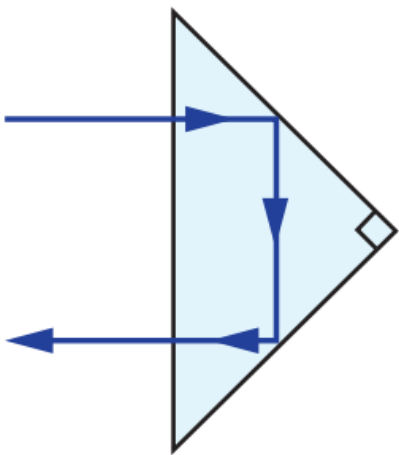
- Ray Deviation of 90°
- Left Handed Image
- Low Arcsecond Angle Tolerance
- Additional [Right Angle Prism](#) Options Available

TECHSPEC® High Tolerance N-BK7 Right Angle Prisms are generally used to bend image paths or redirect light at 90°. This process produces a left-handed image, depending on the prism's orientation, the image may be inverted or reverted. Right angle prisms can also be combined for image/beam displacement. TECHSPEC® High Tolerance N-BK7 Right Angle Prisms feature low arcsecond angle tolerance and are made from precision N-BK7 for use in a variety of visible light applications. These prisms are available uncoated, with a protective aluminum overcoat, or VIS° & aluminized.

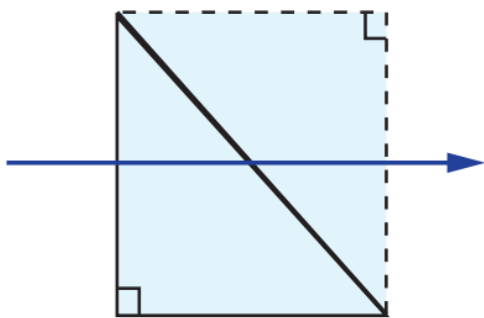
## Technical Information



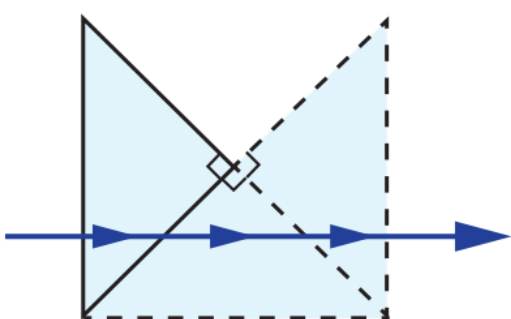
Right Angle Prism Ray Path



Right Angle Prism Ray Path



Right Angle Prism Tunnel Diagram



Right Angle Prism Tunnel Diagram

