

[See all 53 Products in Family](#)

## 2.9mm FL, No IR-Cut Filter, f/2, Micro Video Lens



Stock #55-570 CLEARANCE 20+ In Stock

MRP ₹7,434

Price inclusive of all taxes

**ADD TO CART**

Volume Pricing	
Qty 1-49	₹7,434 each
Qty 50+	₹5,986 each
Need More?	<a href="#">Request Quote</a>

### Product Downloads

### General

**Product Family:**  
Long Working Distance Optimized Imaging Lenses

**Note:**  
Standard

**Type:**  
M12 Imaging Lens

**IR Cut Filter:**  
No

## Physical & Mechanical Properties

Fixed Iris Option:

17.40 Length (mm):

15.0 Maximum Diameter (mm):

15 Outer Diameter (mm):

## Optical Properties

98.6 Horizontal Field of View @ Max Sensor Format:

6.00 Maximum Image Circle (mm):

63 lp/mm @ 20% Contrast Resolution, On-Axis:

63 lp/mm @ 20% Contrast Resolution, 0.7 Field:

40 lp/mm @ 20% Contrast Resolution, Full Field:

2.90 Focal Length FL (mm):

400 - ∞ Working Distance (mm):

f/2 Aperture (f/#):

-36.0 @ Full Field Distortion (%):

-36 Maximum Distortion (%):

VIS Lens Wavelength Range:

## Sensor

1/3" Maximum Sensor Format:

3.45 Pixel Size (µm):

## Threading & Mounting

M12 x 0.50 Filter Thread:

S-Mount (M12 x 0.5) Mount:

## Regulatory Compliance

[Exempt](#) RoHS 2015:

[View](#) Certificate of Conformance:

[Compliant](#) Reach 247:

South Korea Country of Origin:

Imported By:  
Edmund Optics India Private Limited  
267, Greystone Building, Second Floor,  
6th Cross Rd, Binnamangala,  
Stage 1, Indiranagar, Bengaluru,  
Karnataka, India 560038  
Phone: +91- 80-6845 0000

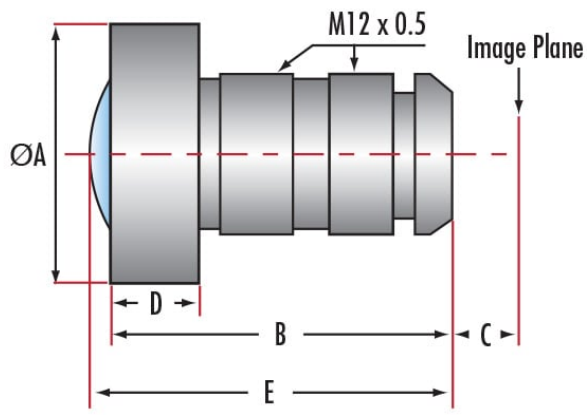
## Product Details

- Up to 2/3", S-Mount Lens
- Wide Field of View Board Camera Lens
- 1.68mm to 50mm Focal Length

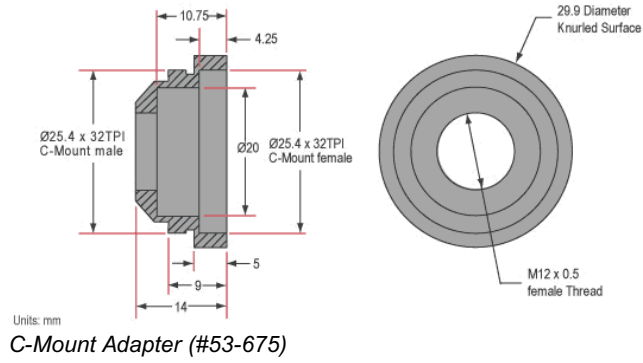
Long Working Distance Optimized Imaging Lenses are designed for use in micro sensor board cameras. These lenses provide excellent image quality in a small, versatile package. Optimized to cover 2/3" sensor formats, they are an ideal choice for wide angle and close focus applications. Long Working Distance Optimized Imaging Lenses have 1.68 to 50mm focal lengths. All lenses are threaded for M12 x 0.5. Some models with Back Focal Distances (dimension "C") less than 4mm may be incompatible with some color cameras due to the camera's Bayer filter. We recommend such lenses for use with monochrome cameras only. Lenses are designed for the 400nm to 700nm range.

**Note:** A line of [M12 Imaging Lens Accessories](#) is available for these products.

# Technical Information



Infinite Conjugate M12 Imaging Lenses



C-Mount Adapter (#53-675)

Stock #	No-IR Cut Filter	IR Cut Filter @650nm	Focal Length (mm)	Aperture (f/#)	A (mm)	B (mm)	C (mm)	D (mm)	E (mm)
#59-776	#66-880		1.68	2.5	15.0	13.2	3.3	2.8	15.1
#56-774	#66-881**		1.74	2.8	21.0	19.61	3.33	3.2	N/A
#64-106	-		1.9	2.0	17.0	14.58	4.2	4.0	15.24
#55-569	#66-883		2.1	2.0	17.0	18.3	4.8	3.7	19.4
#57-681	#66-884***		2.5	2.5	17.0	19.1	4.4	3.7	20.3
#55-570	#66-885		2.9	2.0	15.0	17.4	5.2	5.8	17.8
#59-778	#66-886		3.0	2.0	14.0	15.3	5.3	3.9	N/A
#57-684	#66-890		6.05	1.8	15.0	15.6	8.0	6.0	N/A
#55-573	#66-891		6.37	2.4	14.8	13.12	5.3	3.3	N/A
#55-574	#66-892		8.0	2.5	15.0	13.5	5.8	3.0	N/A
#63-762	#59-779		10.1	2.8	15.0	13.4	6.1	3.2	N/A
#65-251	#64-107		10.4	2.8	14.0	8.93	6.4	4.0	N/A
#56-775	#66-893		12.0	2.0	14.0	12.1	6.2	4.0	N/A
#64-108	#66-894		16.0	2.0	14.0	14.4	8.0	4.5	N/A
#83-107	-		16.0	4.0	14.0	14.4	8.0	4.5	N/A
#56-776	#66-895		25.0	2.5	25.0	23.2	8.1	6.7	N/A
#59-780	#66-896		35.0	2.0	25.0	23.4	15.8*	6.0	N/A
#59-781	#66-897		50.0	2.5	27.0	52.8	4.1	8.0	N/A

\*Note: 35.0mm lens has a large flange focal length. Please make proper adjustments when mounting.  
 \*\*#66-881, B(mm): 20.49  
 \*\*\*#66-884, B(mm): 19.8, E(mm): 21

Stock #	Focal Length (mm)	Aperture (f/#)	A (mm)	B (mm)	C (mm)	D (mm)	E (mm)
#88-587	3.0	2.0	15.0	15.35	5.2	4	16
#88-588	3.5	2.5	15.0	15.4	6.9	4	N/A
#11-323	3.7	1.6	19	24.04	5.46	6.5	24.16
#11-324	4.0	1.8	20	23.8	5.01	7	24.72
#88-589	4.0	2.0	15.0	16.1	5.9	3.8	N/A
#88-590	4.3	2.0	22.0	20.96	5.5	6	21.93
#11-325	4.6	1.6	19	24.18	5.44	7	24.32
#88-591	4.6	2.0	12.0	13.1	1.9	6	N/A
#88-592	5.6	2.0	17.0	22.21	5.3	5	22.38
#89-750	6.0	2.0	14.0	15.1	6.7	3.93	N/A
#11-326	7.0	1.6	19	25.24	5.47	7.2	24.2

#89-751	8.0	2.0	15.0	14.4	6.8	4.5	N/A
#89-752	12.0	2.0	15.0	14.3	5.7	4.5	N/A

---