

[See all 26 Products in Family](#)

## 18mm Maximum Aperture, Stainless Steel Iris Diaphragm



Stock #62-651 **6 In Stock**

MRP ₹9,685

**i** Price inclusive of all taxes

**ADD TO CART**

Volume Pricing	
Qty 1-4	₹9,685 each
Qty 5-9	₹8,586 each
Qty 10-25	₹7,950 each
Need More?	<a href="#">Request Quote</a>

### Product Downloads

### General

Unmounted **Type:**

### Physical & Mechanical Properties

18.0 **Maximum Aperture (mm):**

28.0 **Outer Diameter (mm):**

<b>Construction:</b> Blackened Brass Housing, Stainless Steel Leaves
<b>Lever Diameter (mm):</b> 3.00
<b>Lever Length (mm):</b> 13.30
<b>Number of Leaves:</b> 12.00
<b>Thickness (mm):</b> 5.00
<b>Optical Properties</b>
<b>Minimum Aperture (mm):</b> 1.2
<b>Regulatory Compliance</b>
<b>RoHS 2015:</b> <a href="#">Exempt</a>
<b>Certificate of Conformance:</b> <a href="#">View</a>
<b>Reach 247:</b> <a href="#">Contains SVHC(s)</a>
<b>Country of Origin:</b> Germany
<b>Imported By:</b> Edmund Optics India Private Limited 267, Greystone Building, Second Floor, 6th Cross Rd, Binnamangala, Stage 1, Indiranagar, Bengaluru, Karnataka, India 560038 Phone: +91- 80-6845 0000

## Product Details

- Stainless Steel and Brass Construction for Stability
- Mounted Version Features both an English and Metric Tapped Hole for Easy Post Mounting
- Ideal for Flow Control Applications

Stainless Steel Series Iris Diaphragms are designed with stainless steel lever pins and leaves within a blackened brass housing. These diaphragms offer exceptionally smooth operation over the approximately 90° lever travel, from maximum to minimum aperture. Mounted versions of these diaphragms feature both a Metric and English tapped hole for easy post mounting. These diaphragms are offered with maximum apertures of 8 – 75mm, and with outer diameters ranging from 14.8 to 100mm. Stainless Steel Series Iris Diaphragms are ideal for dynamic control of beam width and light throughput in optical systems where environmental factors are a concern.

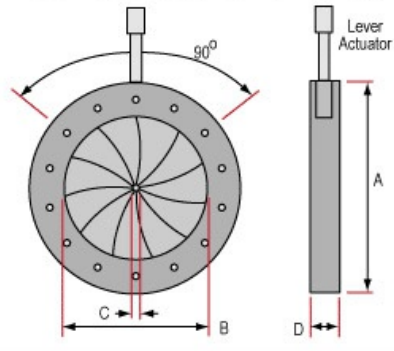
For specific OEM application assistance, please contact our [Applications Engineering Department](#).

**Note:** [Iris Diaphragm Mounts](#) sold separately.

## Technical Information

Outside Diameter A	Maximum Aperture B	Minimum Aperture C	Thickness D	Stock No.	
				Unmounted	Mounted
14.8	8.0	0.8	4.5	<a href="#">#62-650</a>	—
19.8	12.0	0.9	5.0	<a href="#">#53-910</a>	<a href="#">#62-657</a>
24.0	15.0	0.9	5.0	<a href="#">#64-501</a>	—
28.0	18.0	0.9	5.0	<a href="#">#62-651</a>	—
30.0	20.0	0.9	5.5	<a href="#">#64-502</a>	—
33.0	22.0	0.9	5.5	<a href="#">#64-503</a>	—
37.0	25.0	0.9	5.5	<a href="#">#53-911</a>	<a href="#">#62-658</a>
40.0	28.0	1.3	5.5	<a href="#">#64-504</a>	—
50.0	36.0	1.6	6.0	<a href="#">#64-505</a>	—
53.0	37.0	1.6	6.0	<a href="#">#53-912</a>	<a href="#">#62-659</a>
70.0	50.0	2.8	7.5	<a href="#">#53-913</a>	<a href="#">#62-660</a>
100.0	75.0	5.5	9.0	<a href="#">#62-652</a>	—

**Zero Aperture Series Iris Diaphragms**



Units: mm