

[See all 8 Products in Family](#)

TECHSPEC® 25mm NIR I, N-BK7 Right Angle Prism (Hypotenuse Coated)



Broadband Anti-Reflection Coated Hypotenuse Prism

Stock **#34-409** **1 In Stock**

MRP ₹16,849

Price inclusive of all taxes

ADD TO CART

Volume Pricing	
Qty 1-5	₹16,849 each
Qty 6-25	₹13,519 each
Qty 26-49	₹12,712 each
Need More?	Request Quote

Product Downloads

General

Right Angle Prism **Type:**

Physical & Mechanical Properties

+0/-0.1 **Dimensional Tolerance (mm):**

Bevel:

Protective as needed

35.40 **Length of Hypotenuse (mm):**

25.00 **Length of Legs (mm):**

Optical Properties

±15 **Beam Deviation (arcsec):**

NIR I (600-1050nm) **Coating:**

N-BK7 **Substrate:**

40-20 **Surface Quality:**

Left-Handed **Image Orientation:**

90 **Ray Deviation (°):**

350 - 2200 **Wavelength Range (nm):**

1.25 **Power (fringes) @ 632.8nm:**

0.25 **Irregularity (fringes) @ 632.8nm:**

Regulatory Compliance

Compliant **RoHS 2015:**

View **Certificate of Conformance:**

Compliant **Reach 235:**

Singapore **Country of Origin:**

Imported By:
Edmund Optics India Private Limited
267, Greystone Building, Second Floor,
6th Cross Rd, Binnamangala,
Stage 1, Indiranagar, Bengaluru,
Karnataka, India 560038
Phone: +91- 80-6845 0000

Need different specs or modifications?

Edmund Optics offers comprehensive custom manufacturing services for optical and imaging components tailored to your specific application requirements. Whether in the prototyping phase or preparing for full-scale production, we provide flexible solutions to meet your needs. Our experienced engineers are here to assist—from concept to completion.

Our capabilities include:

- Custom dimensions, materials, coatings, and more
- High-precision surface quality and flatness
- Tight tolerances and complex geometries
- Scalable production—from prototype to volume

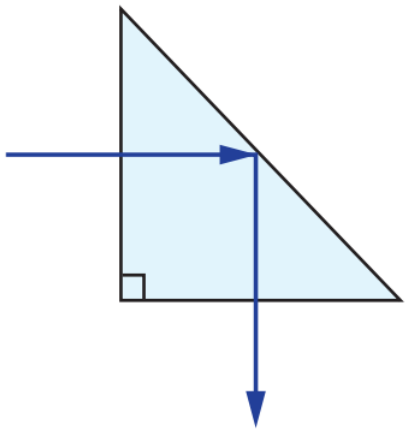
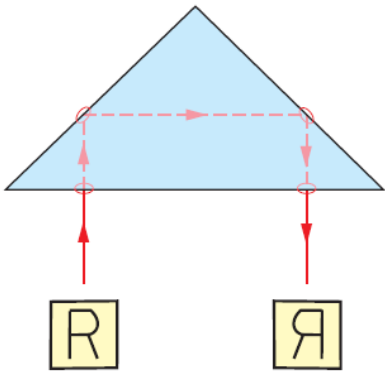
Learn more about our [custom manufacturing capabilities](#) or submit an inquiry [here](#).

Product Details

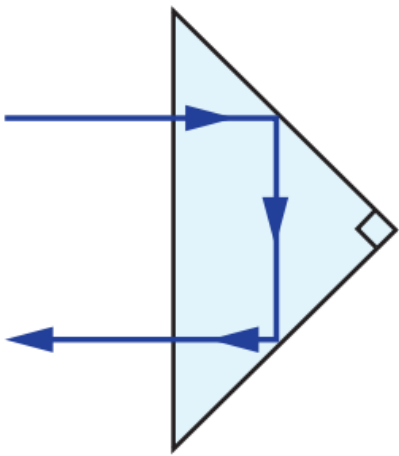
- Single Axis Retroreflector
- Right-Handed Image
- VIS and NIR Options Available

TECHSPEC® Broadband Anti-Reflection (BBAR) Coated N-BK7 Right Angle Prisms (Hypotenuse Coated) are ideal for applications that require a single axis retroreflector. These prisms feature coating options that cover the visible and near-infrared spectrum, as well as tight angular tolerances. These TECHSPEC® Broadband Anti-Reflection (BBAR) Coated N-BK7 Right Angle Prisms (Hypotenuse Coated) are also available in custom sizes.

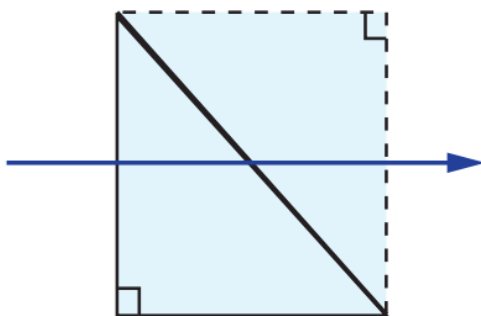
Technical Information



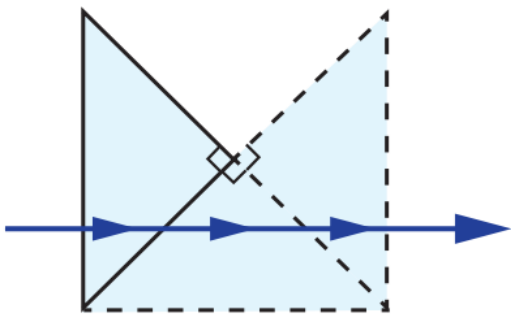
Right Angle Prism Ray Path



Right Angle Prism Ray Path



Right Angle Prism Tunnel Diagram



Right Angle Prism Tunnel Diagram

;