

[See all 49 Products in Family](#)

**TECHSPEC® 25mm f/5.6, UCi Series Fixed Focal Length Lens**



25mm UCi Series Fixed Focal Length Lens



Stock #33-893 **2 In Stock**

⊖ 1 ⊕ MRP ₹23,440

Price inclusive of all taxes

**ADD TO CART**

Volume Pricing	
Qty 1+	₹23,440 each
Need More?	<a href="#">Request Quote</a>

Product Downloads

**General**

UCi Series **Product Family:**

Fixed Focal Length Lens **Type:**

No **IR Cut Filter:**

## Physical & Mechanical Properties

Fixed	Iris Option:
31.50	Length (mm):
26.5	Maximum Diameter (mm):
26.5	Outer Diameter (mm):
38	Weight (g):
2.54	Maximum Rear Protrusion (mm):

## Optical Properties

Horizontal Field of View @ Max Sensor Format:  
60.8mm - 16.4°

Field of View at Max Sensor Format:  
Horizontal: 59.6mm - 16.4°  
Vertical: 44.6mm - 12.3°  
Diagonal: 74.7mm - 20.4°

Horizontal Field of View, 1/1.8" Sensor:  
60.8mm - 16.4°

Horizontal Field of View, 1/2" Sensor:  
54.0mm - 14.6°

Horizontal Field of View, 1/2.5" Sensor:  
48.9mm - 13.2°

Horizontal Field of View, 1/3" Sensor:  
40.4mm - 11.0°

Horizontal Field of View, 1/4" Sensor:  
30.3mm - 8.2°

Maximum Image Circle (mm):  
9.00

Numerical Aperture NA, Object Side:  
0.0103

Number of Elements (Groups):  
7 (5)

Focal Length FL (mm):  
25.00

Working Distance (mm):  
200 - ∞

Aperture (f/#):  
f/5.6

Coating:  
M4 MgF<sub>2</sub>

Coating Specification:  
M4 MgF<sub>2</sub>

Entrance Pupil Position (mm):  
15.05

Object Space Principal Plane (mm):  
29.11

Image Space Principal Plane (mm):  
-12.34

Maximum Distortion (%):  
-0.15

Exit Pupil Position (mm):  
-44.48

Lens Wavelength Range:  
VIS

## Sensor

Optimized Sensor Format:  
1/2.5"

Maximum Sensor Format:  
1/1.8"

Pixel Size (μm):  
1.85

## Threading & Mounting

Filter Thread:  
N/A

Mount:  
C-Mount

## Environmental & Durability Factors

Storage Temperature (°C):

-20 to +60

Type of Ruggedization:

Industrial (Fixed Aperture with Simplified Mechanics)

## Regulatory Compliance

Certificate of Conformance:

[View](#)

Country of Origin:

China

Imported By:

Edmund Optics India Private Limited  
267, Greystone Building, Second Floor,  
6th Cross Rd, Binnamangala,  
Stage 1, Indiranagar, Bengaluru,  
Karnataka, India 560038  
Phone: +91- 80-6845 0000

## Product Details

- Up to 1/1.8", C-Mount, S-Mount Lens
- Up to 12 MegaPixels, 1.85µm Pixel Size Sensors
- Instrumentation (UCi) versions of our UC Series Lenses with Streamlined Mechanical Designs and Fixed Apertures
- 4mm to 35mm Focal Length

TECHSPEC® UCi Series Fixed Focal Length Lenses utilize the same optics as the TECHSPEC UC Series Lenses and feature 4K resolution. These lenses are designed for small pixels  $\leq 2.2\mu\text{m}$  and offer a wide range of fixed apertures for a variety of applications. While optimized for 1/2.5" sensors, many focal length options can be used on sensors up to 1/1.8". TECHSPEC® UCi Series Fixed Focal Length Lenses are ideal for OEM applications that require small, robust, and lightweight imaging solutions.

**Note:** For adjustable aperture options, see our [TECHSPEC® UC Series Fixed Focal Length Lenses](#).

Edmund Optics has created a family of high-performance ultra-compact optical designs (the UC Series family) and developed 3 customized optomechanical solutions targeted for specific applications. These lens sub-families utilize the same optics as the UC Series lenses providing the same optical performance in a variety of optomechanical solutions to meet your application requirements:

**UC Series:** Features locking cam focus and iris adjustment in an ultra-compact design and is the most adjustable version of these optical designs; they are the typical high-quality machine vision lenses.

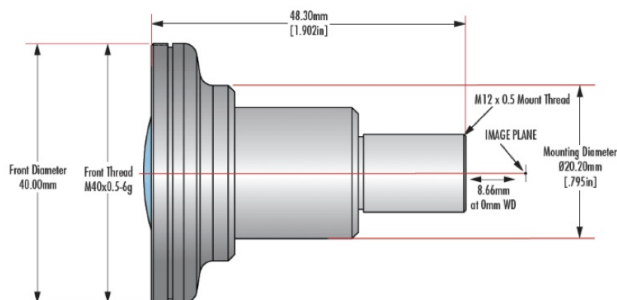
**UCi Series:** Simplified mechanics featuring fixed apertures with compact housing. [Industrial Ruggedization](#) for reduced size, cost, and locked focus.

**UCr Series:** All optics glued in place and a locking C-clamp focus ring. [Stabilized Ruggedization](#) for reduced pixel shift and improved focus stability.

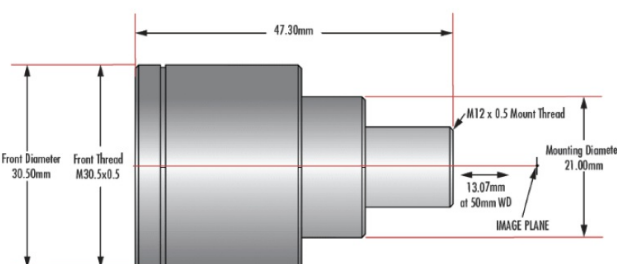
**UCw Series:** Waterproof, designed to meet IEC [Ingress Protection](#) Code IPX7 to withstand exposure to water up to 1 meter depth for 30 minutes.

## Technical Information

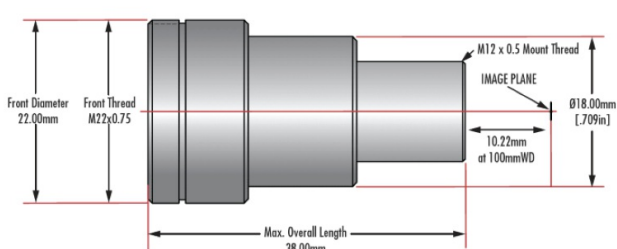
4mm Focal Length



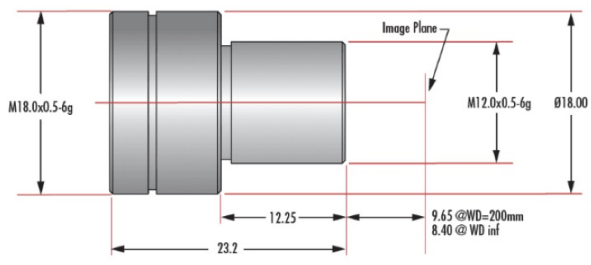
6mm Focal Length



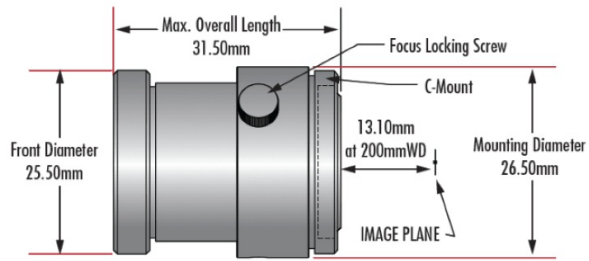
12mm Focal Length



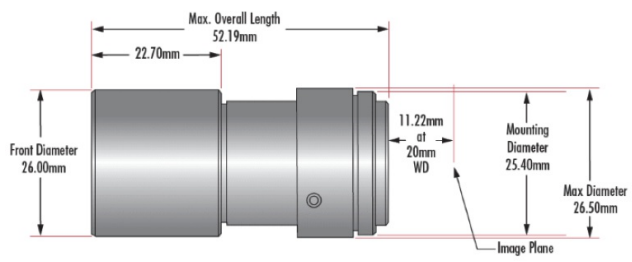
### 16mm Focal Length



### 25mm Focal Length



### 35mm Focal Length



## Compatible Cameras