

TECHSPEC® 25mm f/16, UCi Series Fixed Focal Length Lens



25mm UCi Series Fixed Focal Length Lens



Stock #33-896 **1 In Stock**

- 1 + MRP ₹23,440

● Price inclusive of all taxes

ADD TO CART

Volume Pricing	
Qty 1+	₹23,440 each
Need More?	Request Quote

Product Downloads

General

UCi Series **Product Family:**

Fixed Focal Length Lens **Type:**

No **IR Cut Filter:**

Physical & Mechanical Properties

Fixed Iris Option:

31.50 Length (mm):

26.5 Maximum Diameter (mm):

26.5 Outer Diameter (mm):

38 Weight (g):

2.54 Maximum Rear Protrusion (mm):

Optical Properties

Horizontal Field of View @ Max Sensor Format:
60.8mm - 16.4°

Field of View at Max Sensor Format:
Horizontal: 59.6mm - 16.4°
Vertical: 44.6mm - 12.3°
Diagonal: 74.7mm - 20.4°

Horizontal Field of View, 1/1.8" Sensor:
60.8mm - 16.4°

Horizontal Field of View, 1/2" Sensor:
54.0mm - 14.6°

Horizontal Field of View, 1/2.5" Sensor:
48.9mm - 13.2°

Horizontal Field of View, 1/3" Sensor:
40.4mm - 11.0°

Horizontal Field of View, 1/4" Sensor:
30.3mm - 8.2°

9.00 Maximum Image Circle (mm):

0.0036 Numerical Aperture NA, Object Side:

7 (5) Number of Elements (Groups):

25.00 Focal Length FL (mm):

200 - ∞ Working Distance (mm):

f/16.0 Aperture (f/#):

N4 MgF₂ Coating:

N4 MgF₂ Coating Specification:

15.05 Entrance Pupil Position (mm):

29.11 Object Space Principal Plane (mm):

-12.34 Image Space Principal Plane (mm):

-0.15 Maximum Distortion (%):

-44.48 Exit Pupil Position (mm):

VS Lens Wavelength Range:

Sensor

1/2.5" Optimized Sensor Format:

1/1.8" Maximum Sensor Format:

1.85 Pixel Size (μm):

Threading & Mounting

N/A Filter Thread:

C-Mount Mount:

Environmental & Durability Factors

Storage Temperature (°C):

-20 to +60

Type of Ruggedization:

Industrial (Fixed Aperture with Simplified Mechanics)

Regulatory Compliance

Certificate of Conformance:

[View](#)

Country of Origin:

China

Imported By:

Edmund Optics India Private Limited
267, Greystone Building, Second Floor,
6th Cross Rd, Binnamangala,
Stage 1, Indiranagar, Bengaluru,
Karnataka, India 560038
Phone: +91- 80-6845 0000

Product Details

- Up to 1/1.8", C-Mount, S-Mount Lens
- Up to 12 MegaPixels, 1.85µm Pixel Size Sensors
- Instrumentation (UCi) versions of our UC Series Lenses with Streamlined Mechanical Designs and Fixed Apertures
- 4mm to 35mm Focal Length

TECHSPEC® UCi Series Fixed Focal Length Lenses utilize the same optics as the TECHSPEC UC Series Lenses and feature 4K resolution. These lenses are designed for small pixels $\leq 2.2\mu\text{m}$ and offer a wide range of fixed apertures for a variety of applications. While optimized for 1/2.5" sensors, many focal length options can be used on sensors up to 1/1.8". TECHSPEC® UCi Series Fixed Focal Length Lenses are ideal for OEM applications that require small, robust, and lightweight imaging solutions.

Note: For adjustable aperture options, see our [TECHSPEC® UC Series Fixed Focal Length Lenses](#).

Edmund Optics has created a family of high-performance ultra-compact optical designs (the UC Series family) and developed 3 customized optomechanical solutions targeted for specific applications. These lens sub-families utilize the same optics as the UC Series lenses providing the same optical performance in a variety of optomechanical solutions to meet your application requirements:

UC Series: Features locking cam focus and iris adjustment in an ultra-compact design and is the most adjustable version of these optical designs; they are the typical high-quality machine vision lenses.

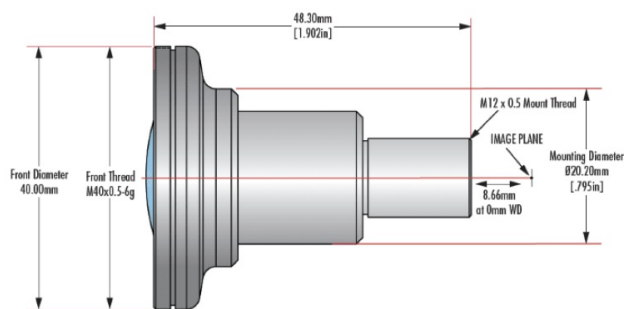
UCi Series: Simplified mechanics featuring fixed apertures with compact housing. [Industrial Ruggedization](#) for reduced size, cost, and locked focus.

UCr Series: All optics glued in place and a locking C-clamp focus ring. [Stabilized Ruggedization](#) for reduced pixel shift and improved focus stability.

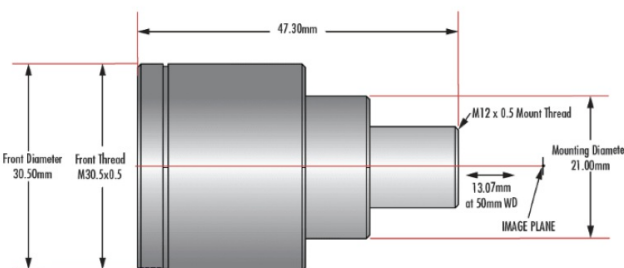
UCw Series: Waterproof, designed to meet IEC [Ingress Protection](#) Code IPX7 to withstand exposure to water up to 1 meter depth for 30 minutes.

Technical Information

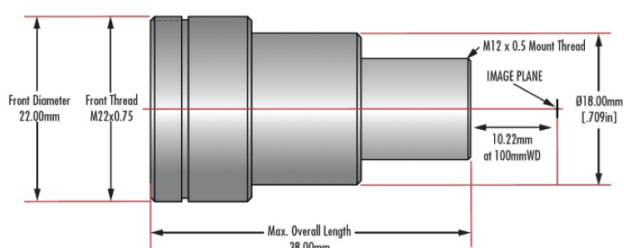
4mm Focal Length



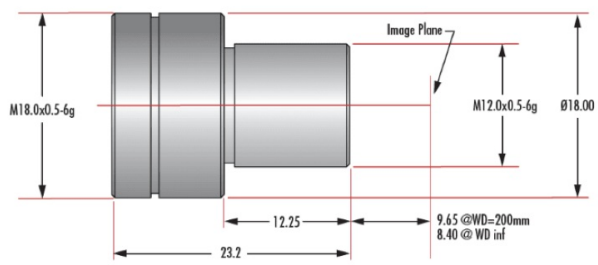
6mm Focal Length



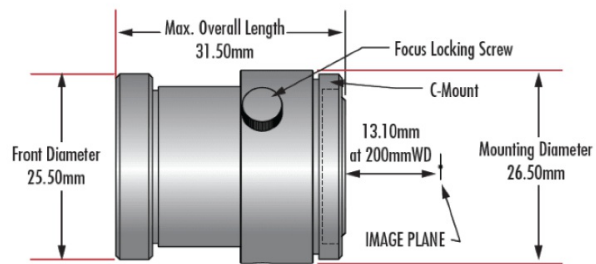
12mm Focal Length



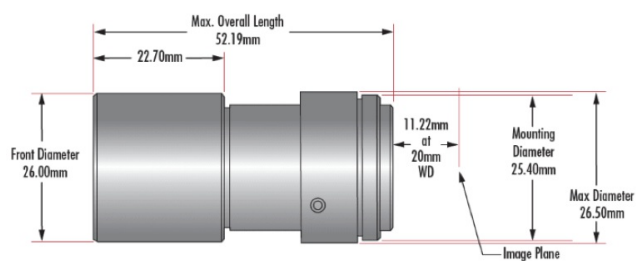
16mm Focal Length



25mm Focal Length



35mm Focal Length



Compatible Cameras