

[See all 195 Products in Family](#)

TECHSPEC® 25mm Diameter x 100mm FL, Uncoated, Laser Grade PCX Lens



TECHSPEC Laser Grade PCXLenses

Stock **#67-097** **2 In Stock**

[Other Coating Options](#)

1 MRP ₹20,380

Price inclusive of all taxes

ADD TO CART

| Volume Pricing | |
|----------------|-------------------------------|
| Qty 1-5 | ₹20,380 each |
| Qty 6-25 | ₹16,244 each |
| Qty 26-49 | ₹15,235 each |
| Need More? | Request Quote |

Product Downloads

General

Plano-Convex Lens **Type:**

Physical & Mechanical Properties

25.00 +0.00/-0.10 **Diameter (mm):**

| | |
|---|--|
| <1 | Centering (arcmin): |
| 3.79 ±0.10 | Center Thickness CT (mm): |
| 2.05 | Edge Thickness ET (mm): |
| 22.5 | Clear Aperture CA (mm): |
| Protective as needed | Bevel: |
| Optical Properties | |
| 100.00 @ 587.6nm | Effective Focal Length EFL (mm): |
| 97.40 | Back Focal Length BFL (mm): |
| Uncoated | Coating: |
| Fused Silica (Corning 7980) | Substrate: <input type="checkbox"/> |
| 20-10 | Surface Quality: |
| λ | Power (P-V) @ 632.8nm: |
| M10 | Irregularity (P-V) @ 632.8nm: |
| ±1 | Focal Length Tolerance (%): |
| 45.85 | Radius R₁ (mm): |
| 4.00 | f/#: |
| 0.13 | Numerical Aperture NA: |
| 200 - 2200 | Wavelength Range (nm): |

| | |
|---|------------------------------------|
| Regulatory Compliance | |
| Compliant | RoHS 2015: |
| Compliant | Reach 219: |
| View | Certificate of Conformance: |
| Singapore | Country of Origin: |
| Edmund Optics India Private Limited 267, Greystone Building, Second Floor, 6th Cross Rd, Binnamangala, Stage 1, Indiranagar, Bengaluru, Karnataka, India 560038 Phone: +91- 80-6845 0000 | Imported By: |

Need different specs or modifications?

Edmund Optics offers comprehensive custom manufacturing services for optical and imaging components tailored to your specific application requirements. Whether in the prototyping phase or preparing for full-scale production, we provide flexible solutions to meet your needs. Our experienced engineers are here to assist—from concept to completion.

Our capabilities include:

- Custom dimensions, materials, coatings, and more
- High-precision surface quality and flatness
- Tight tolerances and complex geometries
- Scalable production—from prototype to volume

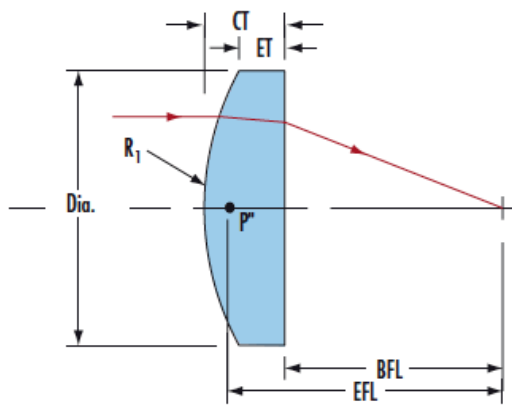
Learn more about our [custom manufacturing capabilities](#) or submit an inquiry [here](#).

Product Details

- Guaranteed Laser Damage Threshold
- 10-5 Surface Quality
- M10 Surface Accuracy

TECHSPEC® Laser Grade PCX Lenses are designed for high energy Nd:YAG laser applications including laser cutting, machining, and welding. The precision fused silica substrate, featuring M10 surface accuracy and 10-5 surface quality, ensures low scatter and excellent transmitted wavefront performance. TECHSPEC® Laser Grade PCX Lenses are available uncoated or with a variety of high laser damage threshold anti-reflection (AR) coating options. Coatings are available at the most common Nd:YAG laser wavelengths to ensure maximum laser throughput.

Technical Information



Compatible Mounts