

[See all 27 Products in Family](#)

**TECHSPEC® 25mm Dia. x 30mm FL, 3 - 5µm Coated, Si Plano-Convex Lens**



Stock **#69-683** [CONTACT US](#)

[Other Coating Options](#)

- 1 + MRP ₹37,329

Price inclusive of all taxes

**ADD TO CART**

Volume Pricing	
Qty 1-5	₹37,329 each
Qty 6-25	₹29,863 each
Qty 26-49	₹27,947 each
Need More?	<a href="#">Request Quote</a>

Product Downloads

**General**

Plano-Convex Lens **Type:**

**Physical & Mechanical Properties**

25.00 +0.0/-0.1 **Diameter (mm):**

**Centering (arcmin):**

Center Thickness CT (mm):  
3.50 ±0.10

Edge Thickness ET (mm):  
2.41

Clear Aperture CA (mm):  
24

Bevel:  
Protective as needed

### Optical Properties

Effective Focal Length EFL (mm):  
30.00 @ 10.6µm

Back Focal Length BFL (mm):  
28.98

Coating:  
BBAR (3000-5000nm)

Coating Specification:  
R<sub>avg</sub> <3.0% @ 3 - 5µm

Substrate:   
Silicon (Si)

Surface Quality:  
60-40

Power (P-V) @ 632.8nm:  
2λ

Irregularity (P-V) @ 632.8nm:  
λ/2

Radius R<sub>1</sub> (mm):  
72.53

f#:  
1.2

Numerical Aperture NA:  
0.42

Wavelength Range (nm):  
3000 - 5000

### Regulatory Compliance

RoHS 2015:  
**Compliant**

Certificate of Conformance:  
**View**

REACH 241:  
**Compliant**

Country of Origin:  
Singapore

Imported By:  
Edmund Optics India Private Limited  
267, Greystone Building, Second Floor,  
6th Cross Rd, Binnamangala,  
Stage 1, Indiranagar, Bengaluru,  
Karnataka, India 560038  
Phone: +91- 80-6845 0000

## Need different specs or modifications?

Edmund Optics offers comprehensive custom manufacturing services for optical and imaging components tailored to your specific application requirements. Whether in the prototyping phase or preparing for full-scale production, we provide flexible solutions to meet your needs. Our experienced engineers are here to assist—from concept to completion.

Our capabilities include:

- Custom dimensions, materials, coatings, and more
- High-precision surface quality and flatness
- Tight tolerances and complex geometries
- Scalable production—from prototype to volume

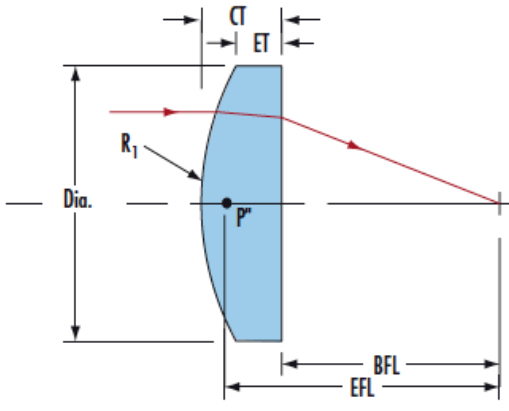
Learn more about our [custom manufacturing capabilities](#) or submit an inquiry [here](#).

## Product Details

- Wavelength Range of 1.2 - 7µm
- Low Density and Dispersion
- Focal Lengths of 25 – 250mm Available
- Additional [Infrared Lenses](#) Available in Popular Substrates

Our TECHSPEC® Silicon Plano-Convex (PCX) Lenses feature precision polished surfaces, making them ideal for a variety of infrared applications, including Near-Infrared (NIR) imaging, and infrared spectroscopy. Available in a variety of focal lengths from f/1 thru f/10, the lenses are offered uncoated or broadband anti-reflection coated. For more information on Silicon properties, please review our guide to selecting [The Correct Material for Infrared \(IR\) Applications](#).

## Technical Information



## Compatible Mounts

;