

[See all 4 Products in Family](#)

TECHSPEC® 25.4mm Sq., 2X, Protected Aluminum Off-Axis Ellipsoidal Mirror



Protected Aluminum Off-Axis Ellipsoidal Mirror

Stock #12-495 [CONTACT US](#)

⊖ 1 ⊕ MRP ₹32,588

📌 Price inclusive of all taxes

ADD TO CART

Volume Pricing	
Qty 1-5	₹32,588 each
Qty 6-25	₹29,360 each
Qty 26-50	₹26,131 each
Need More?	Request Quote

Product Downloads

General

Off-Axis Ellipsoidal Mirror **Type:**

Physical & Mechanical Properties

38.10 **Y Offset (mm):**

Dimensions (mm):

25.40 x 25.40

25.40 **Length (mm):**

25.40 **Width (mm):**

<100 RMS **Surface Roughness (□):**

50.80 **Image Distance (mm):**

Optical Properties

Metal **Coating Type:**

Protected Aluminum (400-2000nm) **Coating:**

72.89 **Off-Set Angle (°):**

400 - 2000 **Wavelength Range (nm):**

Aluminum 6061-T6 **Substrate:** □

$R_{avg} > 85\%$ @ 400 - 700nm
 $R_{avg} > 90\%$ @ 400 - 2000nm **Coating Specification:**

60-40 **Surface Quality:**

2X **Magnification:**

25.40 **Object Distance (mm):**

$\lambda/4$ **Reflected Wavefront, RMS:**

Regulatory Compliance

[View](#) **Certificate of Conformance:**

United States **Country of Origin:**

Edmund Optics India Private Limited
267, Greystone Building, Second Floor,
6th Cross Rd, Binnamangala,
Stage 1, Indiranagar, Bengaluru,
Karnataka, India 560038
Phone: +91- 80-6845 0000 **Imported By:**

Need different specs or modifications?

Edmund Optics offers comprehensive custom manufacturing services for optical and imaging components tailored to your specific application requirements. Whether in the prototyping phase or preparing for full-scale production, we provide flexible solutions to meet your needs. Our experienced engineers are here to assist—from concept to completion.

Our capabilities include:

- Custom dimensions, materials, coatings, and more
- High-precision surface quality and flatness
- Tight tolerances and complex geometries
- Scalable production—from prototype to volume

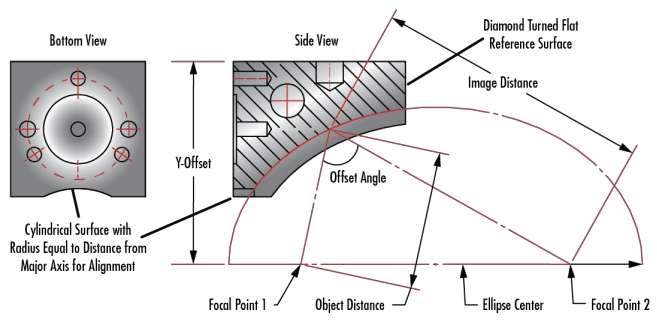
Learn more about our [custom manufacturing capabilities](#) or submit an inquiry [here](#).

Product Details

- <100Å Surface Roughness for Low Scatter
- Diamond Turned Alignment Surfaces
- Ideal for Finite Conjugate Reflection

TECHSPEC® Off-Axis Ellipsoidal Mirrors are finite conjugate focusing mirrors used to image at a set angle. These mirrors feature fixed conjugate image and object path lengths, providing up to 2.5X magnification from the object plane to the imaging plane. Off-Axis Ellipsoidal Mirrors are commonly found in Fourier-transform infrared spectroscopy (FTIR) systems where broadband light sources require the use of metallic reflectors with an off-axis design to meet space constraints. TECHSPEC Off-Axis Ellipsoidal Mirrors feature a diamond turned cylindrical surface on their base, with a radius equivalent to the distance to the major axis of the ellipse, for aligning the mirror to the major axis as well as a diamond turned flat reference surface that is perpendicular to the major axis. Please contact us if your application requires an Off-Axis Ellipsoidal Mirror with custom specifications.

Technical Information



;