

## 25.4mm Clear Aperture, 1 Arcsec, Gold Retroreflector



Stock #46-183 **7 In Stock**

- 1 + MRP ₹1,60,920

● Price inclusive of all taxes

**ADD TO CART**

### Volume Pricing

Qty 1-9	₹1,60,920 each
Qty 10-24	₹1,44,827 each
Need More?	<a href="#">Request Quote</a>

### Product Downloads

### General

Retroreflector **Type:**

### Physical & Mechanical Properties

25.4 **Clear Aperture CA (mm):**

41.30 **Diameter (mm):**

**Dimensional Tolerance (mm):**

±1.6

## Optical Properties

1.00 **Beam Deviation (arcsec):**

Protected Gold (700-2000nm) **Coating:**

0.15λ **Exiting Wavefront Accuracy:**

**BOROFLOAT®** **Substrate:** □

80-50 **Surface Quality:**

Left-Handed **Image Orientation:**

180 **Ray Deviation (°):**

700 - 2000 **Wavelength Range (nm):**

## Threading & Mounting

(2) ¼-20, M6 x 1.0 **Mounting Threads:**

## Regulatory Compliance

**Compliant** **RoHS 2015:**

**Compliant** **REACH 201:**

**View** **Certificate of Conformance:**

United States **Country of Origin:**

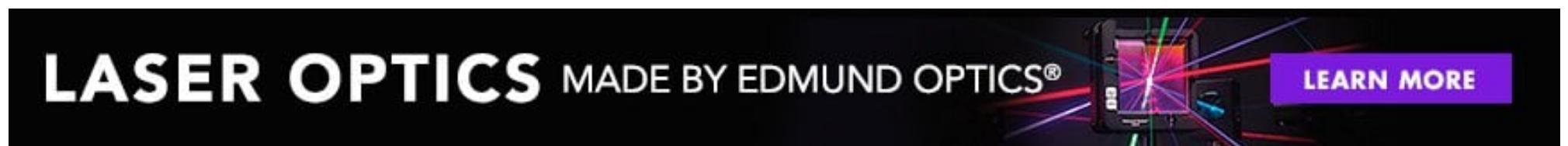
**Imported By:**  
Edmund Optics India Private Limited  
267, Greystone Building, Second Floor,  
6th Cross Rd, Binnamangala,  
Stage 1, Indiranagar, Bengaluru,  
Karnataka, India 560038  
Phone: +91- 80-6845 0000

## Product Details

- Incident Light is Reflected Back to the Source
- Hollow Lightweight Design
- No Material Absorption or Chromatic Aberration

Hollow Retroreflectors are constructed of three first surface mirrors assembled into a corner cube. This produces a lightweight "hollow corner cube" that is totally insensitive to position and movement. The result is that parallel incident light is reflected back to the source with great accuracy, regardless of the angle of incidence. Since the optical path is in air, this configuration eliminates material absorption and chromatic aberrations present in solid glass prism-type retroreflectors. The larger housings feature a variety of mounting holes on the back plate.

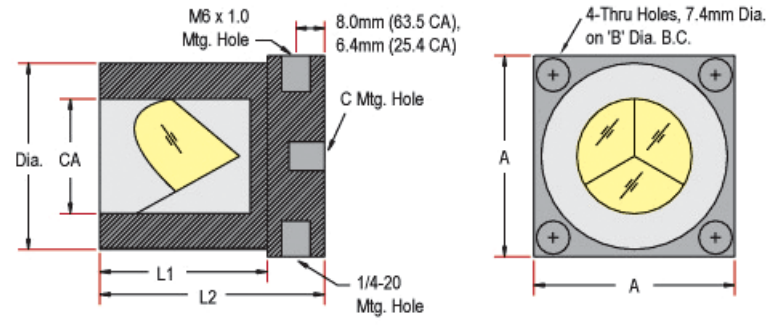
The specified beam deviation value of each Hollow Retroreflector is the maximum deviation from parallelism of any single return beam from any of the six sub-apertures, when the retroreflector is fully illuminated. Exiting wavefront is the resultant peak-to-valley wavefront deformation from a fully illuminated retroreflector, which is listed in factors of λ (where λ = 633nm). The unique, patented cushion mounting makes these Hollow Retroreflectors extremely resistant to shock.



## Technical Information

Clear Aperture (CA)	Diameter	L1	L2	A	B	C
6.4mm	8.1mm	8.1mm *	—	—	—	—
12.7mm	14.6mm	19.1mm *	—	—	—	M3 x 0.5
25.4mm	41.3mm	36.5mm	49.2mm	44.5mm	50.8mm	¼-20
50.8mm	76.2mm	62.0mm	79.5mm	78.7mm	94.2mm	¼-20 **
63.5mm	89.4mm	61.5mm	79.0mm	92.3mm	101.6mm	¼-20 **
127.0mm	166.7mm	125.5mm	150.8mm	171.5mm	221.9mm	¼-20 **

### Hollow Retroreflectors



\*Does not have back plate

\*\*Additional 8 mounting holes on 50.8mm and larger Dia: (4) M6 x 1.0 at 90° and (4) 1/4-20 at 90° on 2" Bolt Circle