

[See all 3 Products in Family](#)

25.0/25.4mm Optic Dia., E-Series Clear Edge Kinematic Mount



#17-279, 25.0/25.4mm Optic Dia., E-Series Clear Edge Kinematic Mount

Stock **#17-279** **20+ In Stock**

- 1 + MRP ₹5,650

Price inclusive of all taxes

ADD TO CART

Volume Pricing	
Qty 1-9	₹5,650 each
Qty 10-19	₹5,377 each
Qty 20+	₹5,105 each
Need More?	Request Quote

Product Downloads

General

Adjustable - Tip-Tilt **Type:**

Circular **Type of Optics:**

2 **Number of Adjustment Screws:**

Physical & Mechanical Properties

23 **Clear Aperture CA (mm):**

Construction:
Aluminum Plates, Stainless Steel Screws, and Brass Thread Bushings

±3.5 **Fine Tilt Angle (°):**

±3.5 **Fine Tip Angle (°):**

0.25 **Adjustment Screw Pitch (mm):**

Yes **1" Optical Axis Height:**

2 **Min. Thickness of Compatible Optics (mm):**

25.40 **Optical Axis Height (mm):**

Threading & Mounting

25.0 - 25.4 **Size of Compatible Optics (mm):**

M6 x 1.0, M4 x 0.7, 8-32 **Compatible Post:**

Regulatory Compliance

RoHS 2015:
[Compliant](#)

Certificate of Conformance:
[View](#)

Reach 247:
[Compliant](#)

Taiwan **Country of Origin:**

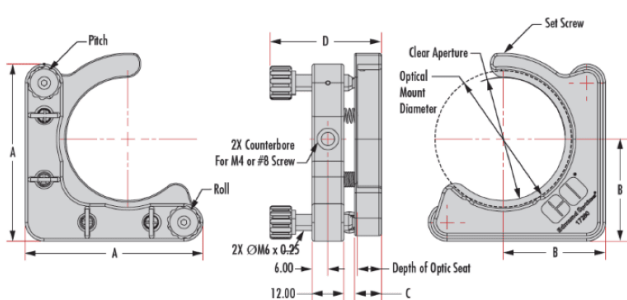
Imported By:
Edmund Optics India Private Limited
267, Greystone Building, Second Floor,
6th Cross Rd, Binnamangala,
Stage 1, Indiranagar, Bengaluru,
Karnataka, India 560038
Phone: +91-80-6845 0000

Product Details

- 120° Clear Edge for Mounting Beamsplitters and Transmissive Optics
- Economically Priced
- Essential Mounts for Experiments and OEM Systems

E-Series Clear Edge Kinematic Optical Mirror Mounts offer many features essential for applications in R&D, prototyping, and system integration. Featuring a 120° cut out, these mounts are ideal for mounting beamsplitters and transmissive optics while accommodating a wider beam path when mounted at a 45° angle. The two M6 x 0.25 (101.6 TPI) adjustment screws provide smooth movement and can be driven by hand or by Allen key (2mm key size) for tip and tilt optical adjustment and alignment (±3.5°). The adjustment screw knobs are removable to create a more compact form factor. E-Series Clear Edge Kinematic Optical Mirror Mounts feature mounting holes with both a counterbore designed to accommodate M4 or 8-32 mounting hardware, and M6 x 1.0 internal threads for increased mounting versatility and direct compatibility to [TECHSPEC® Stainless Steel Mounting Posts](#) and [Pedestal Posts](#).

Technical Information



Dimensions				
Optical Mount Dia. (mm)	A (mm)	B (mm)	C (mm)	D (mm)
12.5/12.7	43.5	25.4	8.0	39.5

25/25.4	43.5	25.4	8.0	39.5
50/50.8	66.0	38.1	10.0	41.5
