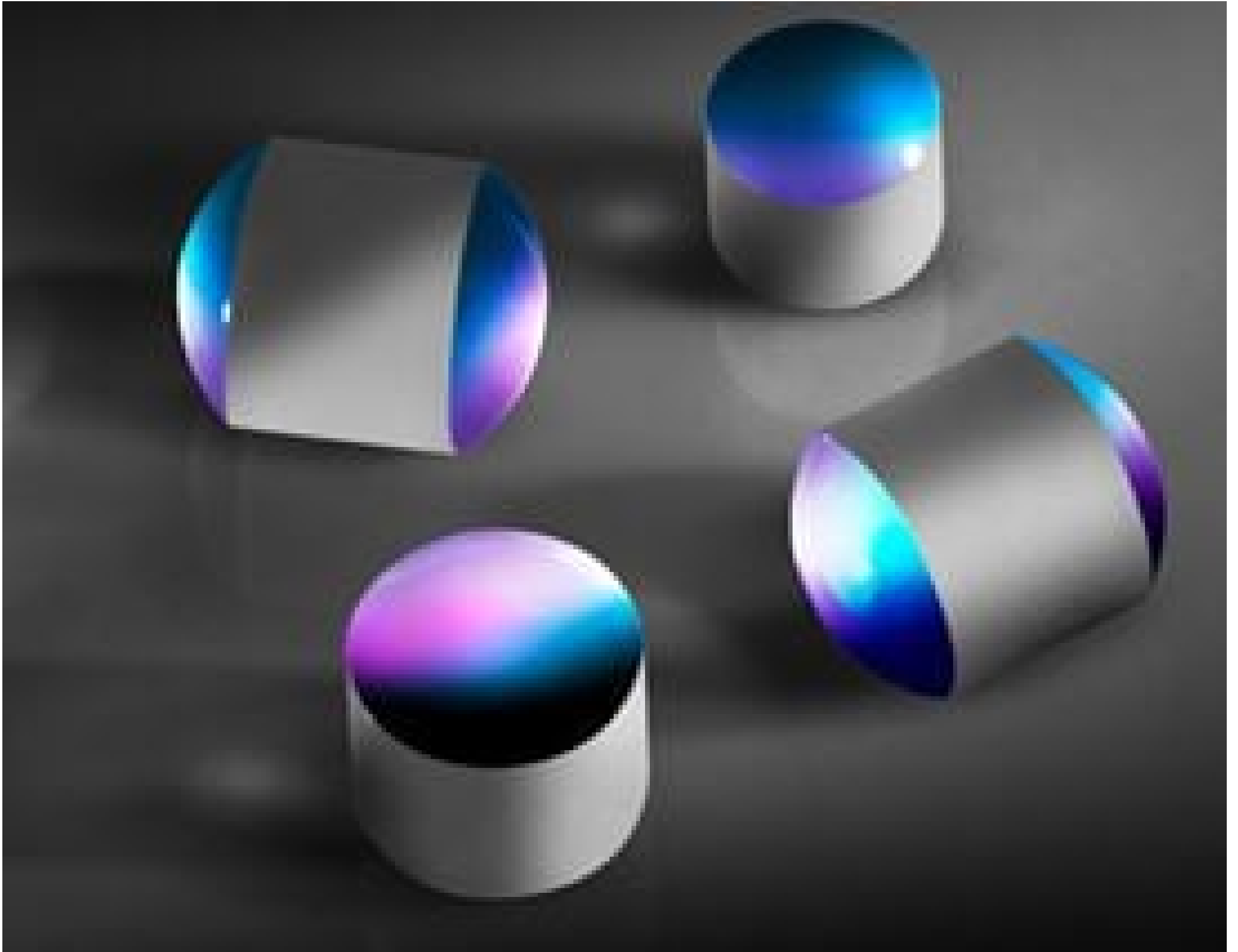


[See all 6 Products in Family](#)

TECHSPEC® 2.4mm Diameter x 2.4mm Length, N-LASFN9 Half-Drum Lens



Stock #46-529 CLEARANCE **2 In Stock**

MRP ₹2,447

i Price inclusive of all taxes

ADD TO CART

Volume Pricing	
Qty 1+	₹2,447 each
Need More?	Request Quote

Product Downloads

General

Half-Drum Lens **Type:**

Physical & Mechanical Properties

2.40 **Diameter (mm):**

2.40 **Length (mm):**

±30 **Length Tolerance (µm):**

1.50	Radius R (mm):
+0/-1.5	Radius Tolerance (µm):
+0/-50	Diameter Tolerance (µm):
Optical Properties	
N-LASF9	Substrate: <input type="checkbox"/>
Uncoated	Coating:
380 - 2500	Wavelength Range (nm):
1.850	Index of Refraction (n_d):
40-20	Surface Quality:

Regulatory Compliance	
View	Certificate of Conformance:
Japan	Country of Origin:
Edmund Optics India Private Limited 267, Greystone Building, Second Floor, 6th Cross Rd, Binnamangala, Stage 1, Indiranagar, Bengaluru, Karnataka, India 560038 Phone: +91-80-6845 0000	Imported By:

Need different specs or modifications?

Edmund Optics offers comprehensive custom manufacturing services for optical and imaging components tailored to your specific application requirements. Whether in the prototyping phase or preparing for full-scale production, we provide flexible solutions to meet your needs. Our experienced engineers are here to assist—from concept to completion.

Our capabilities include:

- Custom dimensions, materials, coatings, and more
- High-precision surface quality and flatness
- Tight tolerances and complex geometries
- Scalable production—from prototype to volume

Learn more about our [custom manufacturing capabilities](#) or submit an inquiry [here](#).

Product Details

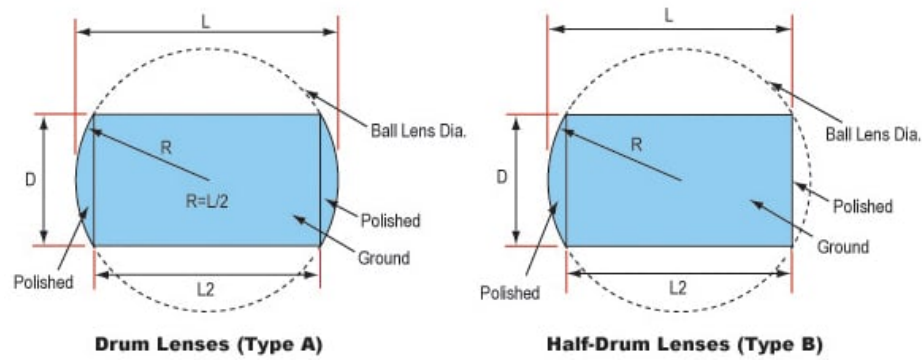
- Easier to Mount and Handle Than Standard Ball Lenses

Drum lenses are glass spheres, ground down axially to provide a mounting surface. The ground circumference D simplifies handling issues typically associated with ball lenses. Ideal for optical transmission in fiber communications. Type B Drum lenses have a polished plano-surface for direct fiber contact and perform as elongated PCX lenses.

Technical Information

D	Radius R	Length	Length L2	Stock No.
Type A Drum Lenses				
2mm	1.25mm	2.5mm	1.5mm	#45-548
				#45-739
				#45-836
				#45-663
				#45-743
2.4mm	1.5mm	3mm	1.8mm	#45-549
				#45-837
				#45-664
				#45-744
3.2mm	2mm	4mm	2.4mm	#45-550
				#45-741
				#45-838
				#45-665
				#45-745
4mm	2.5mm	5mm	3mm	#45-551
				#45-839

				#45-742
				#45-666
Type B Half-Drum Lenses				
2mm	1.25mm	2mm	1.5mm	#46-524
				#46-528
2.4mm	1.5mm	2.4mm	1.8mm	#46-525
				#46-529
3.2mm	2mm	3.2mm	2.4mm	#46-526
				#46-530
4mm	2.5mm	4mm	3mm	#46-527
				#46-531



Drum Lenses (Type A)

Half-Drum Lenses (Type B)