

[See all 10 Products in Family](#)

## 20X Objective, Nikon CFI Super Fluor

See More by [Nikon](#)



Stock #88-376 [CONTACT US](#)

- 1 + MRP ₹6,72,246

● Price inclusive of all taxes

**ADD TO CART**

### Volume Pricing

Qty 1+	₹6,72,246 each
Need More?	<a href="#">Request Quote</a>

### Product Downloads

### General

MRF00201	<b>Model Number:</b>
Focal Length: 200mm	<b>Compatible Tube Lens Focal Length (mm):</b>
Microscope Objective	<b>Type:</b>
Infinity Corrected	<b>Style:</b>
Nikon	<b>Manufacturer:</b>

### Physical & Mechanical Properties

1.10	<b>Field of View (mm):</b>
------	----------------------------

58.90 Length (mm):

58.90 Length excluding Threads (mm):

33.5 Maximum Diameter (mm):

198.00 Weight (g):

### Optical Properties

0.17 Compatible Cover Glass Thickness (mm):

0.32mm Horizontal Field of View, 1/2" Sensor:

0.44mm Horizontal Field of View, 2/3" Sensor:

20X Magnification:

0.75 Numerical Aperture NA:

1.0 Working Distance (mm):

22 Field Number (mm):

59.9 Parfocal Length (mm):

N/A Immersion Liquid:

### Sensor

2/3" Maximum Sensor Format:

### Threading & Mounting

M25 x 0.75 Mounting Threads:

### Regulatory Compliance

**Compliant** RoHS 2015:

**View** Certificate of Conformance:

Japan Country of Origin:

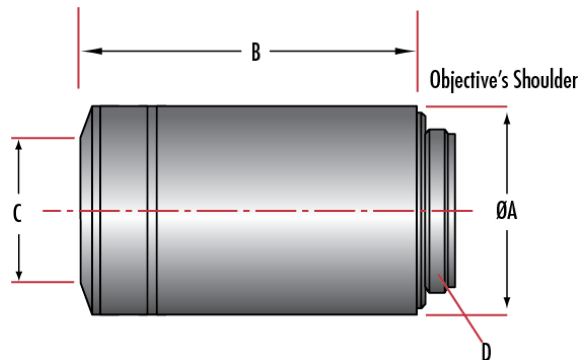
Imported By:  
Edmund Optics India Private Limited  
267, Greystone Building, Second Floor,  
6th Cross Rd, Binnamangala,  
Stage 1, Indiranagar, Bengaluru,  
Karnataka, India 560038  
Phone: +91- 80-6845 0000

## Product Details

- Superior UV Transmission
- High Numerical Aperture Designs
- Feature Low Auto-Fluorescence Materials

Nikon CFI Super Fluor Objectives are designed to provide superior transmission to ultraviolet applications operating down to 340nm, including for use with fluorochromes indo-1, fura-2, and fluo-3, or for photo-activation of caged compounds. Nikon CFI Super Fluor Objectives are designed using low auto-fluorescence materials along with high numerical apertures to guarantee sharp, bright fluorescence images. These microscope objectives have been optimized for improved signal-to-noise ratios at short wavelengths.

## Technical Information



Dimensions (mm)						
Stock No.	Magnification	Parafocal Length	A	B	C	D
#88-374	4X	60.06	30.0	44.4	19.7	M25 x 0
#88-375	10X	60.06	32.0	58.7	8.0	M25 x 0
#88-376	20X	60.06	33.5	58.9	9.0	M25 x 0
#88-377	40X	60.06	33.0	59.6	7.5	M25 x 0

