

[See all 8 Products in Family](#)

## 20X EO M Plan Apo Long Working Distance Infinity Corrected



50XEOMPlan Apo Long Working Distance Infinity Corrected, #59-879

Stock **#59-878** **20+ In Stock**

1 MRP ₹2,28,330

Price inclusive of all taxes

**ADD TO CART**

### Volume Pricing

Qty 1+	₹2,28,330 each
Need More?	<a href="#">Request Quote</a>

### Product Downloads

### General

**Compatible Tube Lens Focal Length (mm):**  
Focal Length: 200mm

**Type:**  
Microscope Objective

**Style:**  
Infinity Corrected

### Physical & Mechanical Properties

**Field of View (mm):**  
1.2

75.00	<b>Length (mm):</b>
75.00	<b>Length excluding Threads (mm):</b>
34	<b>Maximum Diameter (mm):</b>
320	<b>Weight (g):</b>

## Optical Properties

0.32mm	<b>Horizontal Field of View, 1/2" Sensor:</b>
0.44mm	<b>Horizontal Field of View, 2/3" Sensor:</b>
0.64mm	<b>Horizontal Field of View, 1" Sensor:</b>
10.00	<b>Focal Length FL (mm):</b>
20X	<b>Magnification:</b>
0.42	<b>Numerical Aperture NA:</b>
0.7	<b>Resolving Power (µm):</b>
1.60	<b>Depth of Field (µm):</b>
1.2	<b>Field of View, 24 Diameter Field Eyepiece (mm):</b>
20.0	<b>Working Distance (mm):</b>
390 - 780	<b>Wavelength Range (nm):</b>
24	<b>Field Number (mm):</b>
95	<b>Parfocal Length (mm):</b>
N/A	<b>Immersion Liquid:</b>

## Threading & Mounting

M26 x 36 TPI	<b>Mounting Threads:</b>
--------------	--------------------------

## Environmental & Durability Factors

+10 to +40	<b>Operating Temperature (°C):</b>
<85% with no condensation	<b>Operating Humidity:</b>

## Regulatory Compliance

<a href="#">View</a>	<b>Certificate of Conformance:</b>
China	<b>Country of Origin:</b>
Edmund Optics India Private Limited 267, Greystone Building, Second Floor, 6th Cross Rd, Binnamangala, Stage 1, Indiranagar, Bengaluru, Karnataka, India 560038 Phone: +91- 80-6845 0000	<b>Imported By:</b>

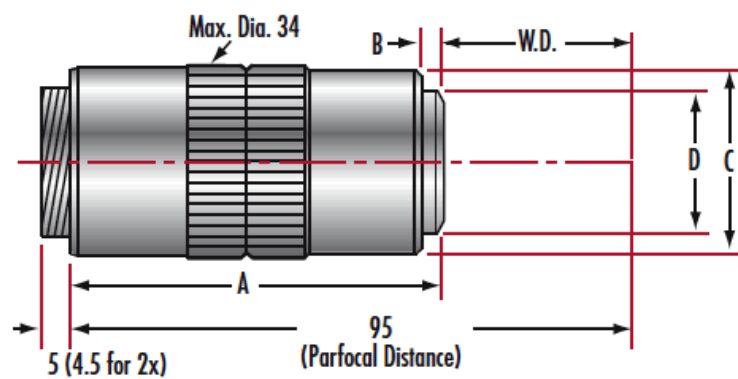
## Product Details

- High Quality Optics in a Plan Apochromat Design
- Long Working Distance Options
- Sub-Micron Resolving Power

EO Infinity Corrected Long Working Distance Objectives are made to the highest quality and standards, utilizing a strain-free optical system. They maintain a long working distance and offer high numerical apertures. With resolving power from 5 to 0.34 microns, these objectives work for a wide array of applications. All stated magnifications are based on a tube lens focal length of 200mm. EO Infinity Corrected Long Working Distance Objectives' mounting thread is M26 x 36 TPI. The objectives work with all Mitutoyo parts and can be placed directly in a system currently utilizing Mitutoyo objectives.

## Technical Information

	Stock #	A	B	C	D	E
2XMPlan APO	#59-875	61	—	32	27.5	34
5XMPlan APO	#59-876	61	—	32	25	34
10XMPlan APO	#59-877	61.5	2.2	32	25.5	34
20XMPlan APO	#59-878	75	3.2	32	26.7	34
50XMPlan APO	#59-879	82	—	32	25.5	34
100XMPlan APO	#59-880	92	—	32	26	34
50XMPlan APO ULWD	#59-881	74.5	—	32	25.5	34
100XMPlan APO ULWD	#59-882	82	—	32	26	34



Units: mm