

TECHSPEC® 20mm NIR, Lateral Displacement Non-Polarized Beamsplitter



Lateral Displacement Beamsplitters

Stock **#47-541** **6 In Stock**

⊖ 1 ⊕ MRP ₹80,712

📌 Price inclusive of all taxes

ADD TO CART

Volume Pricing	
Qty 1-5	₹80,712 each
Qty 6-25	₹64,066 each
Qty 26-99	₹59,525 each
Need More?	Request Quote

Product Downloads

General

Non-Polarizing Beamsplitter **Type:**

Non-Polarizing **Type of Optics:**

Physical & Mechanical Properties

Clear Aperture (%):

80.00

Construction:

Prism

Dimensional Tolerance (mm):

±0.1

Parallelism (arcmin):

<2

Optical Properties

Angle Tolerance (arcsec):

±5

Beam Separation (mm):

20.00

Coating Specification:

R_{avg} <0.5% @ 720 - 1080nm

Extinction Ratio:

|T_p - T_s| <6%

P-Polarization Transmission (%):

45.00

S-Polarization Reflection (%):

45.00

Substrate:

N-BK7

Surface Flatness (P-V):

λ/8

Surface Quality:

40-20

Wavelength Range (nm):

720 - 1080

Regulatory Compliance

RoHS 2015:

Compliant

Reach 224:

Compliant

Certificate of Conformance:

[View](#)

Country of Origin:

Singapore

Imported By:

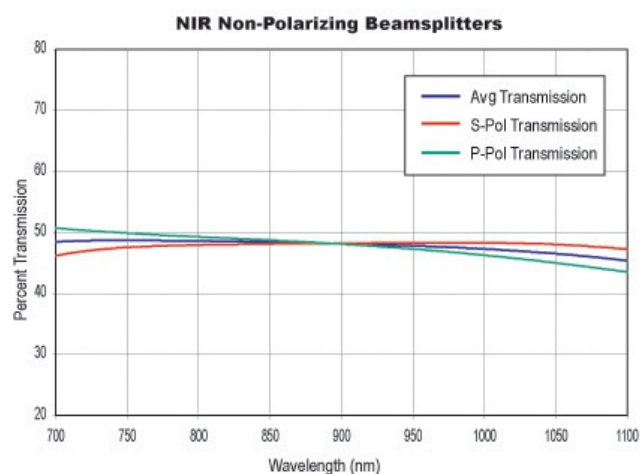
Edmund Optics India Private Limited
267, Greystone Building, Second Floor,
6th Cross Rd, Binnamangala,
Stage 1, Indiranagar, Bengaluru,
Karnataka, India 560038
Phone: +91- 80-6845 0000

Product Details

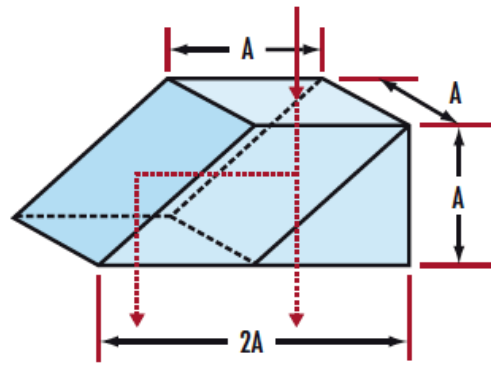
- Visible and NIR Coating Options Offered
- Simplifies Benchtop Layout
- Split Incident Beam into Two Displaced Parallel Beams

TECHSPEC® Lateral Displacement Beamsplitters output two parallel beams separated by a fixed distance. The beamsplitters consist of a precision rhomboid prism cemented to a λ/8 right angle prism. The high tolerance design ensures the exiting beams are parallel to within 2 arcmin. TECHSPEC® Lateral Displacement Beamsplitters' entrance and exit faces feature a multi-layer anti-reflection (AR) coating for increased efficiency. Polarizing and non-polarizing coatings are available for these beamsplitters.

Technical Information



Size (A)	10mm	20mm
Beam Separation	10mm	20mm



;