

[See all 20 Products in Family](#)

# 205mm x 205mm Travel, Motorized XY Microscope Stage, Integrated Controller with Encoder

See More by [Zaber™](#)



XY Microscope Translation Stage



Stock #25-179 **1 In Stock**

1  MRP ₹9,70,137

Price inclusive of all taxes

**ADD TO CART**

### Volume Pricing

Qty 1+	₹9,70,137 each
Need More?	<a href="#">Request Quote</a>

### Product Downloads

### General

Metric **Type:**  
Yes **Encoder:**

Zaber Technologies Inc.	<b>Manufacturer:</b>
Stepper (2 Phase)	<b>Type of Motor:</b>
Rotary Quadrature Encoder	<b>Encoder Type:</b>

## Physical & Mechanical Properties

Linear (X-Y)	<b>Type of Movement:</b>
Crossed Roller Bearing	<b>Guide System:</b>
349.0 x 400.9	<b>Stage Size (mm):</b>
205 in X 205 in Y	<b>Travel (mm):</b>
50 (Unidirectional)	<b>Accuracy (µm):</b>
<10	<b>Backlash (µm):</b>
38.8	<b>Height (mm):</b>
9.68, Centered Load	<b>Load Capacity (kg):</b>
<2	<b>Repeatability (µm):</b>
0.000095 to 85	<b>Speed (mm/s):</b>
95	<b>Thrust (N):</b>
6.9	<b>Weight (kg):</b>
200 CPR	<b>Encoder Resolution:</b>

## Optical Properties

0.15625	<b>Resolution (µm):</b>
---------	-------------------------

## Hardware & Interface Connectivity

Precision Lead Screw	<b>Type of Drive:</b>
24-48 VDC	<b>Power Supply:</b>

## Environmental & Durability Factors

0 to 50	<b>Operating Temperature (°C):</b>
---------	------------------------------------

## Regulatory Compliance

<a href="#">Compliant</a>	<b>RoHS 2015:</b>
<a href="#">View</a>	<b>Certificate of Conformance:</b>
<a href="#">Compliant</a>	<b>Reach 247:</b>
Canada	<b>Country of Origin:</b>
Edmund Optics India Private Limited 267, Greystone Building, Second Floor, 6th Cross Rd, Binnamangala, Stage 1, Indiranagar, Bengaluru, Karnataka, India 560038 Phone: +91- 80-6845 0000	<b>Imported By:</b>

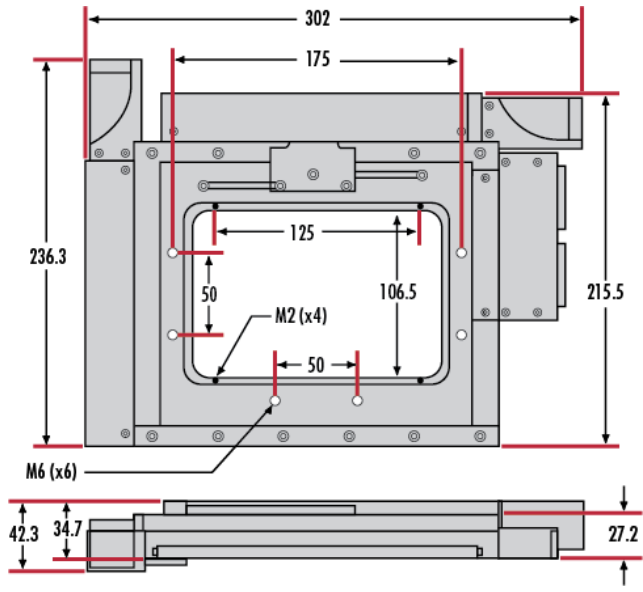
## Product Details

- 100 x 120mm or 205 x 205mm Travel
- 100N Centered Load Capacity, 12µm Full Travel Accuracy, 2µm Repeatability, and Up to 85mm/s Speed
- Supported by [µManager](#) Open-Source Microscopy Software
- Available with Integrated, 200 Counts per Revolution (CPR) Motor Mounted Encoder

Zaber™ Motorized XY Microscope Stages are an ideal replacement for manual stages used on upright and inverted microscope systems or for stand-alone operation as scanning stages. These microscope stages incorporate crossed roller bearings on hardened stainless steel to increase translation smoothness and durability. Encoder versions are available for all travel lengths, with 200 Counts per Revolution (CPR) rotary quadrature encoders integrated into the stepper motor. Zaber™ Motorized XY Microscope Stage features a compact design, precision accuracy and repeatability, and quick translation speed across 100 x 120mm or 205 x 205mm of travel. The included adjustable universal slide insert allows quick changes of slides up to 70mm diameter. This stage is fully supported by [µManager](#), an open-source software package for controlling automated microscopes and imaging systems.

**Note:** A 24-48 VDC universal power supply, data cables for daisy chaining, and computer interface cables (USB or RS-232) are sold separately as accessories. These stages utilize the same accessories as the Zaber™ High

## Technical Information



;