

15X Widefield Eyepiece



Microscope Eyepieces

Stock #35-691 **6 In Stock**

MRP ₹20,709

Price inclusive of all taxes

ADD TO CART

Volume Pricing	
Qty 1-4	₹20,709 each
Qty 5+	₹19,753 each
Need More?	Request Quote

Product Downloads

General

Widefield **Type:**

Physical & Mechanical Properties

13 **Eye Relief (mm):**

Optical Properties

Effective Focal Length EFL (mm):
16.70

Field Stop Diameter (mm):
16

Magnification:
15X

Regulatory Compliance

Certificate of Conformance:
[View](#)

Country of Origin:
China

Imported By:
Edmund Optics India Private Limited
267, Greystone Building, Second Floor,
6th Cross Rd, Binnamangala,
Stage 1, Indiranagar, Bengaluru,
Karnataka, India 560038
Phone: +91- 80-6845 0000

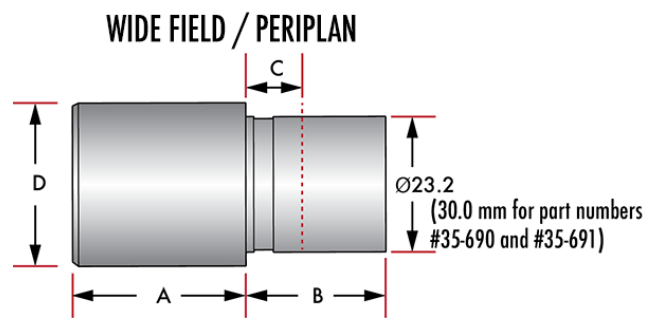
Product Details

- Widefield and DIN-45mm Versions Available
- Widefield Versions Offer Adjustable Diopter
- Three Standard Magnifications

Microscope Eyepieces attach to a variety of microscope systems featuring designs that consist of an achromatic doublet with a single plano-convex lens, where both convex surfaces face each other. These eyepieces are ideal for use with standard achromatic objectives and upright, brightfield microscope systems. Microscope Eyepieces are available as standard parts with different magnifications, focal lengths, and field stops. Additional magnification options available upon request - [contact us](#) today to discuss your specific requirements.

Note: Eyepieces are sold individually, not as a set.

Technical Information



Stock No.	A	B	C	D
#35-689	30.1	24.5	10	28
#35-690	33.7	26.3	10	42
#35-691	19.6	26.3	10	40
#35-692	19.5	24.5	10	28