

[See all 9 Products in Family](#)

**TECHSPEC® 15X Arcturus® HeNe Beam Expander**



15X HeNe Fixed Beam Expander, #58-209

Stock **#58-209** [CONTACT US](#)

1 MRP ₹63,561

Price inclusive of all taxes

**ADD TO CART**

Volume Pricing	
Qty 1-4	₹63,561 each
Qty 5-24	₹56,498 each
Qty 25-99	₹50,345 each
Need More?	<a href="#">Request Quote</a>

Product Downloads

**General**

Beam Expander **Type:**

Fixed Magnification **Style:**

**Physical & Mechanical Properties**

Length (mm):

120.50

Weight (g):

461

Housing Diameter (mm):

50

### Optical Properties

Entrance Aperture (mm):

2

Exit Aperture (mm):

27

Expansion Power:

15X

Focus Range (mm):

1.2m - ∞

Substrate: □

Optical Glass

Angle of Incidence (°):

0

Coating:

BBAR (450-750nm)

Design Wavelength DWL (nm):

633

Transmitted Wavefront, P-V:

<math>\lambda/4</math> @ 633nm for Input Beam  $\leq 1$ mm

Wavelength Range (nm):

450 - 750

Coating Specification:

R<sub>abs</sub> <math><0.4\%</math> @ 630 - 670nm  
R<sub>avg</sub> <math><0.6\%</math> @ 450 - 750nm

Divergence Adjustment:

Non-Rotating Optics

### Threading & Mounting

Mounting Threads:

C-Mount

### Regulatory Compliance

RoHS 2015:

[Compliant](#)

Certificate of Conformance:

[View](#)

Country of Origin:

China

Imported By:

Edmund Optics India Private Limited  
267, Greystone Building, Second Floor,  
6th Cross Rd, Binnamangala,  
Stage 1, Indiranagar, Bengaluru,  
Karnataka, India 560038  
Phone: +91- 80-6845 0000

## Product Details

- AR Coated for HeNe Laser Wavelength of 633nm
- Fixed Magnifications Available from 3X to 20X
- Divergence Adjustable with Non-Rotating Optics

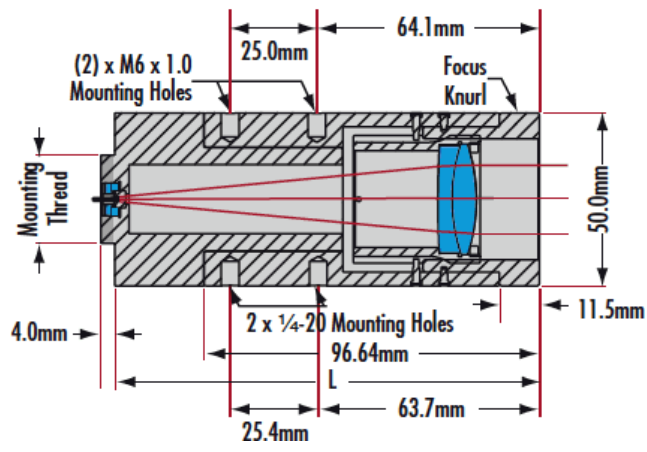
TECHSPEC® Arcturus® HeNe Beam Expanders offer high performance optical designs packaged in a precise opto-mechanical platform. Two full rotations of the adjustment knurl provide smooth movement for the optics in order to vary the output from collimated to the minimum focus distance of 1.2 meters. The precise adjustment mechanism keeps optics from rotating, which helps maintain bore sight accuracy and a minimally aberrated beam. Adjustment lock secures position. TECHSPEC® Arcturus® HeNe Beam Expanders are easily secured to both metric and English threaded mounts. Four tapped holes (two M6 on 25mm centers and two 1/4-20 on 1" centers) are located near the middle of the assembly for mounting.

For more cost sensitive applications, Edmund Optics also offers [TECHSPEC Scorpii® Nd:YAG Beam Expanders](#). For applications where rotating optics are acceptable, the [TECHSPEC Vega® Laser Line Beam Expanders](#) and [TECHSPEC Vega® Broadband Beam Expanders](#) are available. For higher precision applications where sliding optics are necessary, please see our [TECHSPEC Draconis® Nd:YAG Laser Line Beam Expanders](#) or [TECHSPEC Draconis® Broadband Beam Expanders](#). For broadband or ultrafast applications, [TECHSPEC Canopus® Reflective Beam Expanders](#) are available.



## Technical Information

# Complete Beam Expander



## Beam Expander Mounting Configurations.

Click on an item below to be brought to that item's product page.

