

## 1.5" Angle Mirror Mount with Mirror



Angle Mount with Mirror

Stock **#33-500** **5 In Stock**

MRP ₹13,419

Price inclusive of all taxes

**ADD TO CART**

Volume Pricing	
Qty 1+	₹13,419 each
Need More?	<a href="#">Request Quote</a>

### Product Downloads

### General

Adjustable - Tip-Tilt **Type:**

Square or Rectangular **Type of Optics:**

Fixed mirror included **Note:**

1.5" Angle **Type of Mount:**

### Physical & Mechanical Properties

0.3	<b>Weight (lbs):</b>
Black Anodized Aluminum, Stainless Steel	<b>Construction:</b>
20	<b>Fine Tilt Angle (°):</b>
0.015	<b>Resolution (inches):</b>
20	<b>Fine Tip Angle (°):</b>
0.015	<b>Adjustment Screw Pitch (inches):</b>
1.25	<b>Centerline Height (inches):</b>
25 x 35	<b>Pre-Mounted Mirror Size (mm):</b>

### Threading & Mounting

3.0 - 38.1	<b>Size of Compatible Optics (mm):</b>
1.5 Sq.	<b>Mounting Plate Size (inches):</b>

### Regulatory Compliance

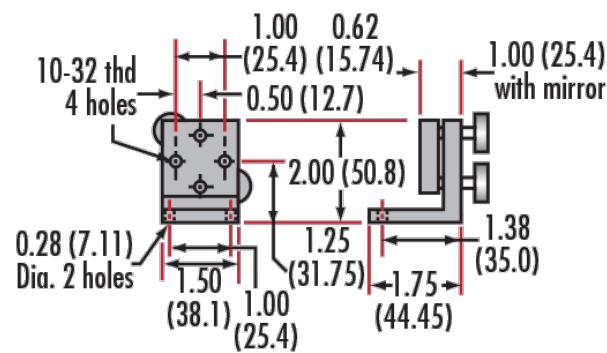
Compliant	<b>RoHS 2015:</b>
View	<b>Certificate of Conformance:</b>
United States	<b>Country of Origin:</b>
Edmund Optics India Private Limited 267, Greystone Building, Second Floor, 6th Cross Rd, Binnamangala, Stage 1, Indiranagar, Bengaluru, Karnataka, India 560038 Phone: +91- 80-6845 0000	<b>Imported By:</b>

### Product Details

- 1.0" or 1.5" Square Mounting Surface
- Two Fine Adjustment Screws (64-Pitch) Allow for Tilting
- Models with Pre-Mounted M4 Mirror Available
- Straight or Angle Configuration Options Available

Small Mirror Mounts are available with a 1.0" or 1.5" square mounting surface. These optical mirror mounts feature two stainless steel fine-resolution (64-pitch) mounting screws that provide precise tilting of the mounting surface in two directions. These optical mirror mounts are suitable for mounting to most post mounts. Small Mirror Mounts are constructed of black anodized aluminum and each type has an option for an included fixed mirror. These mounts feature mounting holes in various sizes, including 1/4-20 and 10-32.

### Technical Information



#33-499