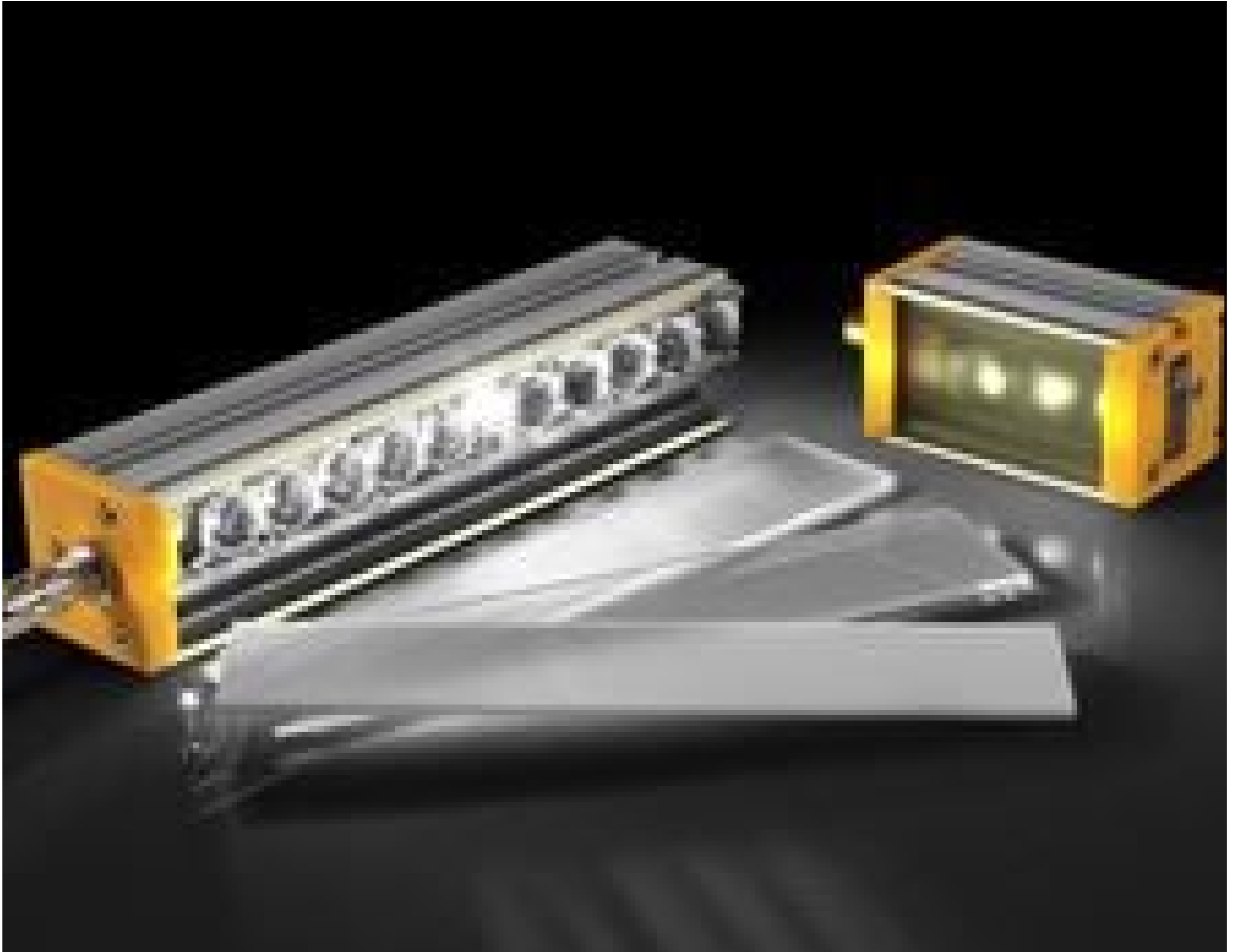


[See all 37 Products in Family](#)

15 LED, RGB Adjustable LED Bar Light



Stock #90-253 **NEW** [CONTACT US](#)

⊖ 1 ⊕ ₹1,15,710

ADD TO CART

Volume Pricing	
Qty 1+	₹1,15,710 each
Need More?	Request Quote

Product Downloads

General

EFFI-FLEX-15-RGB-SD-P1	Model Number:
15.00	Number of LEDs:
LED Illuminator	Type of Illumination:
Effilux	Manufacturer:

Bar Light **Geometry:**
Illumination Mode:
Strobed or Constant

Physical & Mechanical Properties

Dimensions (mm):
335.0 x 51.0 x 49.0

Optical Properties

Color:
RGB
Wavelength:
465 nm, 525 nm, 625 nm

Hardware & Interface Connectivity

Connector:
M12, 5 pins
Input Voltage (V):
24V DC

Power Supply:
Power Supply Required and Sold Separately.
USA: [#15-874](#)
Europe: [#15-875](#)
Japan: [#73-409](#)
Korea: [#73-409](#)
China: [#15-874](#)

Threading & Mounting

Mount:
2 Rails (1 for M6 T-Nuts)

Environmental & Durability Factors

Operating Temperature (°C):
-10 to 50
Environmental Rating:
IP40

Regulatory Compliance

Certificate of Conformance:
[View](#)
Country of Origin:
France
Imported By:
Edmund Optics India Private Limited

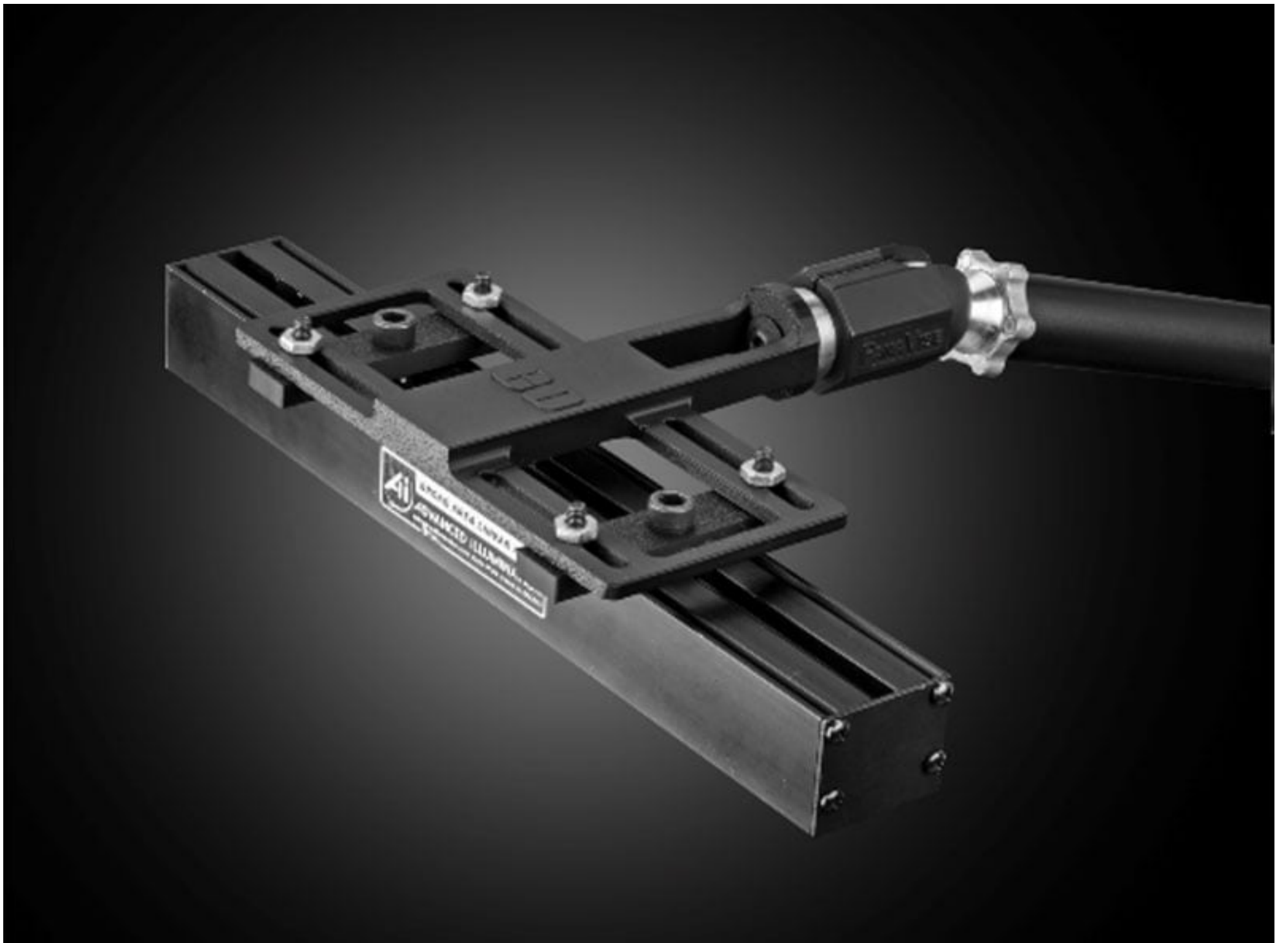
Product Details

- Direct Access to Optics for Quick, Manual Adjustment of Illumination Cone Angles
- Included Interchangeable Windows Allows for Easy Adjustment of Light Diffusion
- Easy to Integrate Linescan Accessory for Linear or Darkfield Lighting

Effilux Adjustable LED Bar Lights provide versatility by allowing the emission angle of the light to be modified by the user. Various illumination emission angles can be modified by simply removing the LED window that's held in place by screws to access the lens array and adjust the lens array height to one of the three indicated positions. Effilux Adjustable LED Bar Lights include three interchangeable windows: transparent, semi-diffuse, and opaline. By placing the optional polarizer or linescan accessories beneath the transparent window, glare can be eliminated or linear lighting created. The flexibility and ease of user modifications for these bar lights make them ideal for use in many application types.

Note: 24V power supply and M12 female to male cable are required. When first powered, these lights start in their Overdriven state with 700% intensity then relax to normal intensity.

[3D-Printable Mount Files](#)



Bar or Line Light Configuration

**DOWNLOAD
NOW**

Designed for use with the [Articulating Arm Mounting Systems](#), these 3D-printed mounts allow easy positioning of lights in brightfield or darkfield setups. The design is based on mounting illumination to 1/4-20" breadboards or into 80/20 extrusion systems, but can be adapted based on user needs. Mounts are available for ring, bar, line, and inline spot lights.



Application Note

Illumination Mounts for Machine Vision Applications
[Read](#)



Video

Assembly of 3D Printed Mounts for Common Illumination Geometries
[Watch](#)