

[See all 88 Products in Family](#)

12mm Dia. x 12.5mm FL, Uncoated Molded Aspheric Condenser Lens



Molded Aspheric Condenser Lenses

Stock **#88-287** **20+ In Stock**

[Other Coating Options](#)

- 1 + MRP ₹3,581

Price inclusive of all taxes

ADD TO CART

Volume Pricing	
Qty 1-10	₹3,581 each
Qty 11-49	₹3,228 each
Need More?	Request Quote

Product Downloads

General

Condenser Lens **Type:**

Note:
[Click here](#) for more information on the ISO 10110 surface quality specification.

Physical & Mechanical Properties

Diameter (mm):

12.00 +/-0.3	Centering (arcmin):
≤30	
9.50	Clear Aperture CA (mm):
1.9	Edge Thickness ET (mm):
4.50 ±0.20	Center Thickness CT (mm):
Protective as needed	Bevel:
12.0	Diameter of Asphere (mm):
Plano	Shape of Back Surface:

Optical Properties

12.50 @587.6nm	Effective Focal Length EFL (mm):
0.48	Numerical Aperture NA:
9.50	Back Focal Length BFL (mm):
Liba2000+	Substrate: <input type="checkbox"/>
±5	Focal Length Tolerance (%):
Uncoated	Coating:
Molded Side: 5/3 x0.4; E 0.2 Polished Side: 5/3 x0.25; E 0.2	Surface Quality:
1.04	f/#:
58.85	Abbe Number (v_d):
1.520	Index of Refraction (n_d):
Plano	Radius R₂ (mm):
350 - 2000	Wavelength Range (nm):
Infinite	Conjugate Distance:
587.6	Focal Length Specification Wavelength (nm):

Material Properties

9.4	Coefficient of Thermal Expansion CTE (10⁻⁶/°C):
-----	---

Regulatory Compliance

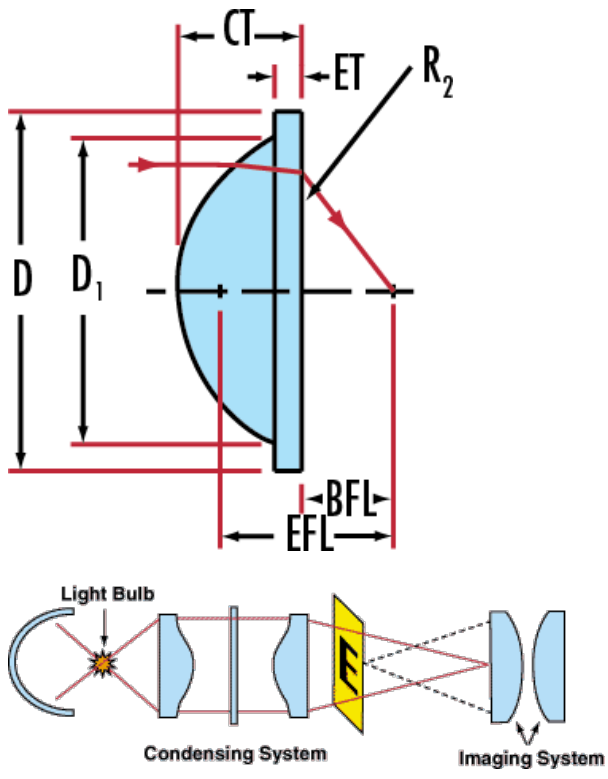
Compliant	RoHS 2015:
View	Certificate of Conformance:
Compliant	Reach 242:
Poland	Country of Origin:
Edmund Optics India Private Limited 267, Greystone Building, Second Floor, 6th Cross Rd, Binnamangala, Stage 1, Indiranagar, Bengaluru, Karnataka, India 560038 Phone: +91- 80-6845 0000	Imported By:

Product Details

- Hardened for Improved Durability
- High Numerical Apertures
- Ideal for Illumination Applications

Molded Aspheric Condenser Lenses are pressed, hardened, and annealed to meet precise optical and mechanical specifications. The hardening process improves the durability of the lenses, making them less susceptible to thermal shock and scratching than traditionally polished lenses. These Molded Aspheric Condenser Lenses are ground and polished on the second surface, enhancing the overall precision of the lenses. Molded Aspheric Condenser lenses are ideal for a wide range of illumination and detection applications, including biotech instruments such as DNA sequencers and polymerase chain reaction (PCR) testing platforms.

Technical Information



Compatible Mounts