

TECHSPEC® 12mm Cx Series Fixed Focal Length Lens



12mm Cx Series Fixed Focal Length Lens, #33-562

Stock **#33-562** **13 In Stock**

⊖ 1 ⊕ MRP ₹18,282

● Price inclusive of all taxes

ADD TO CART

Volume Pricing

Qty 1+	₹18,282 each
Need More?	Request Quote

Note: This item requires accessories for use | [Learn More](#)

Product Downloads

General

Cx Series **Product Family:**

Note:
Cx Lens Accessory required for use. All field of view and working distance values listed assume a Cx Lens Accessory has been integrated. Cx Lens Accessory is not included and must be purchased separately.

Type:

Fixed Focal Length Lens

Modular **Special Type of Lens:**

Physical & Mechanical Properties

Fixed **Iris Option:**

29.80 **Length (mm):**

30 **Maximum Diameter (mm):**

30 **Outer Diameter (mm):**

33 **Weight (g):**

0 **Maximum Rear Protrusion (mm):**

Optical Properties

Field of View at Max Sensor Format:
Horizontal: 81.2mm - 41.2°
Vertical: 60.4mm - 31.3°
Diagonal: 102.1mm - 50.5°

Horizontal Field of View, 2/3" Sensor:
81.1mm - 41.1°

Horizontal Field of View, 1/1.8" Sensor:
63.3mm - 35.1°

Horizontal Field of View, 1/2" Sensor:
58.4mm - 30.3°

Horizontal Field of View, 1/2.5" Sensor:
49.1mm - 27.6°

Horizontal Field of View, 1/3" Sensor:
43.6mm - 22.9°

11.00 **Maximum Image Circle (mm):**

0.0292 **Numerical Aperture NA, Object Side:**

7 (7) **Number of Elements (Groups):**

12.00 **Focal Length FL (mm):**

100 - ∞ **Working Distance (mm):**

Accessory Dependent **Aperture (f/#):**

425 - 675nm BBAR **Coating:**

425 - 675nm BBAR **Coating Specification:**

11.01 **Entrance Pupil Position (mm):**

17.32 **Object Space Principal Plane (mm):**

1.98 **Image Space Principal Plane (mm):**

-2.09 **Maximum Distortion (%):**

-11.38 **Exit Pupil Position (mm):**

VIS **Lens Wavelength Range:**

Sensor

2/3" **Maximum Sensor Format:**

2.74 **Pixel Size (µm):**

Threading & Mounting

M25.5 x 0.50 (Male) **Filter Thread:**

[#89-941 \(Required\)](#) **Filter Thread Adapter:**

C-Mount **Mount:**

Environmental & Durability Factors

Storage Temperature (°C):

-20 to +60

Regulatory Compliance

Certificate of Conformance:

[View](#)

Country of Origin:

China

Imported By:

Edmund Optics India Private Limited
267, Greystone Building, Second Floor,
6th Cross Rd, Binnamangala,
Stage 1, Indiranagar, Bengaluru,
Karnataka, India 560038
Phone: +91- 80-6845 0000

Product Details

- Up to 2/3", C-Mount Lens
- Up to 7.5 MegaPixels, 2.8µm Pixel Size Sensors
- Flexible (Cx) Version of our C Series Lenses with Interchangeable Apertures, Filters and Liquid Lens
- 12mm to 50mm Focal Length

TECHSPEC® Cx Series Fixed Focal Length Lenses are designed with simplicity and versatility to easily integrate into a range of application types. The modular 3-piece design allows for flexibility to integrate precision fixed apertures, internal filter holders, or liquid lenses into the assembly. These lenses also feature a simplified focus mechanism with easy to use lock nut and recessed set screws to lock focus position into place. The Cx Series lenses are ideal for applications such as machine vision, [factory automation](#), and research and development. For further documentation information or questions regarding ease of assembly and design support, please review our quick start guides, the lens manual or contact technical support.

These lenses won the Silver Level 2016 Innovators Award and the [2nd place 2017 Inspect Award](#).

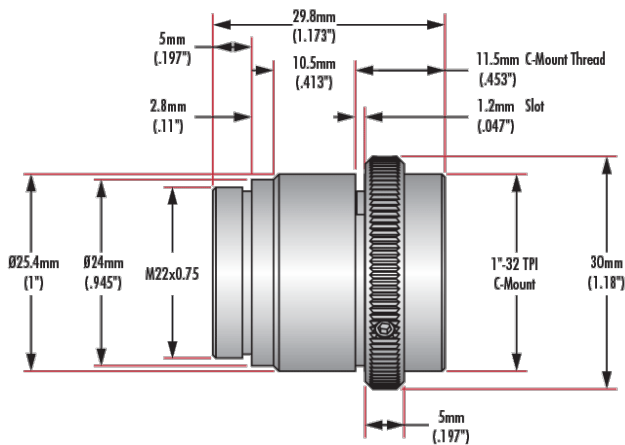
Note: One accessory is required for use with the Cx Series lenses. Accessories available include apertures, filter holders, or liquid lens holders. The liquid lens holders are compatible with our [Variable Focus Liquid Lenses](#).

Edmund Optics has created a family of high performance optical designs (the C Series family) and developed 6 customized optomechanical solutions targeted for specific applications. These lens sub-families utilize the same optics as the C Series lenses providing the same optical performance in a variety of optomechanical solutions to meet your application requirements:

- **C Series:** Features locking cam focus and iris adjustment and is the most adjustable version of these optical designs; they are the typical high quality machine vision lenses. Also available with a [VIS-NIR Broadband Anti-Reflection \(BBAR\) Coating](#).
- **CI Series:** Simplified mechanics featuring fixed apertures with compact housing. [Industrial Ruggedization](#) for reduced size, cost, and locked focus.
- **Cr Series:** All optics glued in place and a locking C-clamp focus ring. [Stabilized Ruggedization](#) for reduced pixel shift and improved focus stability.
- **Cx Series:** Modular, flexible mechanics allows lenses to be taken apart for easy integration of accessories such as liquid lenses, apertures, and more.
- **Liquid Lens Cx Series:** Designed with an integrated liquid lens for quick autofocus.
- **Cw Series:** Waterproof, designed to meet IEC [Ingress Protection](#) Code IPX7 and IPX9K.

Technical Information

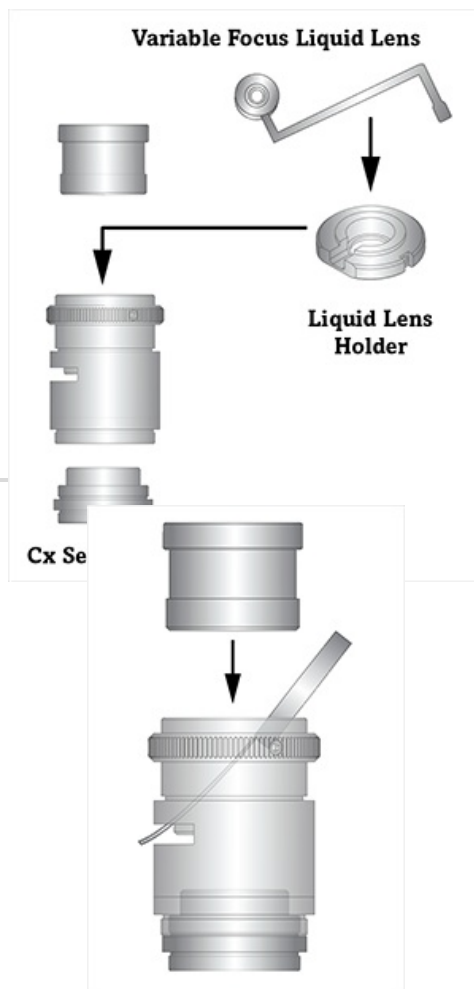
12mm Focal Length, #33-562



	12mm	16mm	25mm	35mm	35mm	50mm
Compatible Liquid Lens	A-25H0	A-25H0	A-25H0	A-25H0	A-39N0	A-39N0
Compatible Liquid Lens Stock No.	#34-282	#34-282	#34-282	#34-282	#34-283	#34-283
Compatible Liquid Lens Development Kit	#34-284	#34-284	#34-284	#34-284	#34-285	#34-285
Liquid Lens Holder Stock No.	#33-631	#33-645	#33-660	#33-675	#33-674	#33-686

Integrating Liquid Lenses into Cx Lenses

Step 1: Choose the focal length of the Cx Lens and the compatible Variable Focus Liquid Lens and Liquid Lens Holder. Or simply choose appropriate Cx Lens Kit, which includes a Cx lens and its compatible Variable Focus Liquid Lens and Liquid Lens Holder.



Step 2: Mount the Variable Focus Liquid Lens into the Liquid Lens Holder. Next, assemble both items into the middle of the Cx Lens. [Complete instructions can be found in the downloadable PDF manual.](#)

Step 3, Option 1: Attach Liquid Lens to a [PixeLink USB 3.0 Autofocus Camera](#). This camera provides seamless integration - both driver and autofocus software is included.



Step 3, Option 2: Use with standard C-Mount camera. Driver is not included and a separate Liquid Lens driver must be purchased separately (included in Liquid Lens Development Kit).



Compatible Cameras