

[See all 5 Products in Family](#)

12.5/12.7mm, Mounting Cell



12.7mm, Mounting Cell, #56-759

Stock **#56-759** **20+ In Stock**

1 MRP ₹2,749

Price inclusive of all taxes

ADD TO CART

Volume Pricing

Qty 1-9	₹2,749 each
Qty 10-25	₹2,482 each
Qty 26-49	₹2,361 each
Need More?	Request Quote

Product Downloads

General

Fixed **Type:**

Circular **Type of Optics:**

Physical & Mechanical Properties

Construction:

Black Anodized Aluminum

Max. Thickness of Compatible Optics (mm):
3.2

Cell Diameter (mm):
30.0

Threading & Mounting

Size of Compatible Optics (mm):
12.5 - 12.7

Cell Thickness (mm):
5.0

Regulatory Compliance

RoHS 2015:
[Exempt](#)

Certificate of Conformance:
[View](#)

Reach 247:
[Contains SVHC\(s\)](#)

Country of Origin:
Japan

Imported By:
Edmund Optics India Private Limited
267, Greystone Building, Second Floor,
6th Cross Rd, Binnamangala,
Stage 1, Indiranagar, Bengaluru,
Karnataka, India 560038
Phone: +91- 80-6845 0000

Product Details

- Allows Stacking of 3 or 5 Filters
- Black Anodized Aluminum
- [Posts](#) and [Post Holders](#) Required for Mounting

Fixed/Multiple Filter Mounts are ideal for use with neutral density filters in stacking applications. Mounting cell holds filter with diameter "F" in place with a retainer ring. Mounting cell sits securely in filter holder. Fixed/Multiple Filter Mounts can also hold unmounted filters with diameter "A". A filter holder and filter cell are required for a complete stacking system, such as the one illustrated in the product image. These mounts are constructed of black anodized aluminum and are optimal for mounting 3 or 5 circular optics.

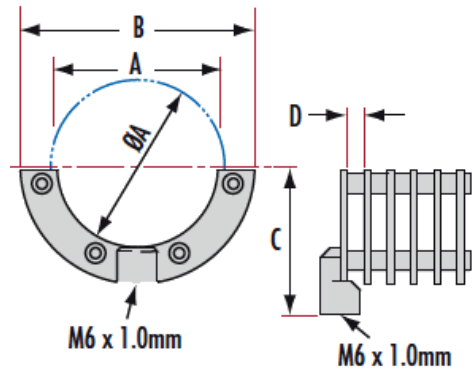
[Posts](#) and [Post Holders](#) are required for mounting to a breadboard.

Technical Information

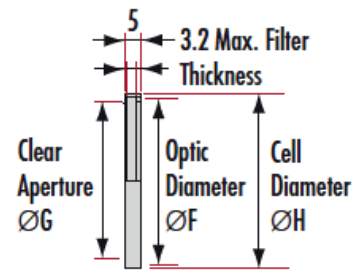
Stock No.	A	B	C	D	No. of Slots	No. of Cell Slots
#55-006	30mm	50mm	34mm	5mm	4	3
#55-007	50mm	70mm	44mm	5mm	5	5

Stock No.	F	G	H
#56-759	12.7mm	10.2mm	30mm
#55-008	25mm	22.5mm	30mm
#56-760	25.4mm	22.9mm	30mm
#55-009	50mm	47mm	52mm

Multiple Filter Holder



Mounting Cell



Units: mm