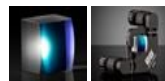
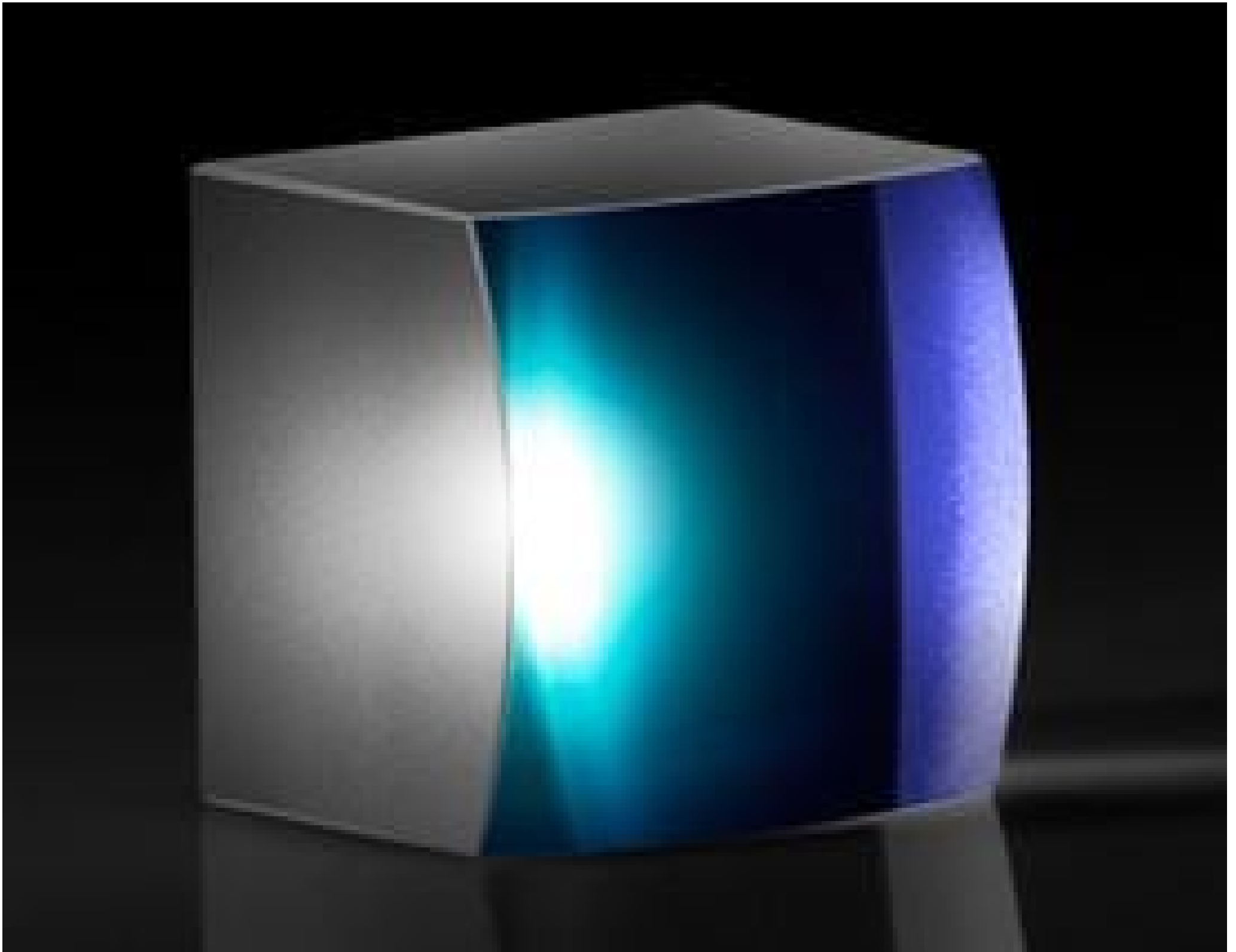


TECHSPEC®

12.5 x 12.5mm, 0.20 Numerical Aperture, Uncoated, Square Precision Aspheric Lens



Stock #17-316 CLEARANCE **1 In Stock**

⊖ 1 ⊕ MRP ₹24,315

● Price inclusive of all taxes

ADD TO CART

Volume Pricing	
Qty 1+	₹24,315 each
Need More?	Request Quote

Product Downloads

General

Aspheric Lens Type:

Physical & Mechanical Properties

12.50 x 12.50 Dimensions (mm):

Centering (arcmin):

11.50 x 11.50	Clear Aperture CA (mm):
10.27	Edge Thickness ET (mm):
11.50 ±0.10	Center Thickness CT (mm):
Protective as needed	Bevel:
Plano	Shape of Back Surface:

Optical Properties

31.25 @ 587.6nm	Effective Focal Length EFL (mm):
0.20	Numerical Aperture NA:
23.67	Back Focal Length BFL (mm):
N-BK7	Substrate: <input type="checkbox"/>
0.4λ	Asphere Figure Error, RMS @ 632.8nm:
Uncoated	Coating:
40-20	Surface Quality:
2.50	f#:
350 - 2200	Wavelength Range (nm):
Infinite	Conjugate Distance:
32.00	Power (diopters):

Regulatory Compliance

View	Certificate of Conformance:
Singapore	Country of Origin:
Edmund Optics India Private Limited 267, Greystone Building, Second Floor, 6th Cross Rd, Binnamangala, Stage 1, Indiranagar, Bengaluru, Karnataka, India 560038 Phone: +91- 80-6845 0000	Imported By:

Need different specs or modifications?

Edmund Optics offers comprehensive custom manufacturing services for optical and imaging components tailored to your specific application requirements. Whether in the prototyping phase or preparing for full-scale production, we provide flexible solutions to meet your needs. Our experienced engineers are here to assist—from concept to completion.

Our capabilities include:

- Custom dimensions, materials, coatings, and more
- High-precision surface quality and flatness
- Tight tolerances and complex geometries
- Scalable production—from prototype to volume

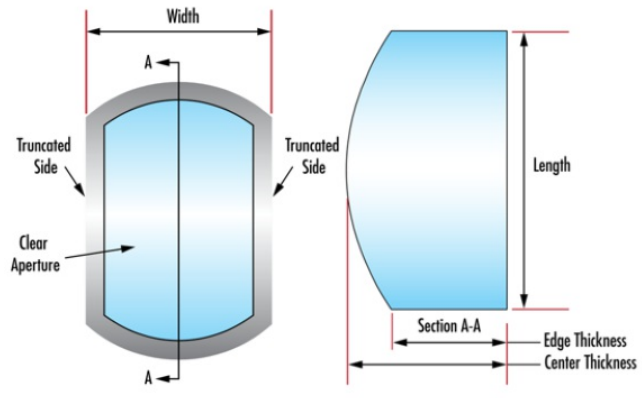
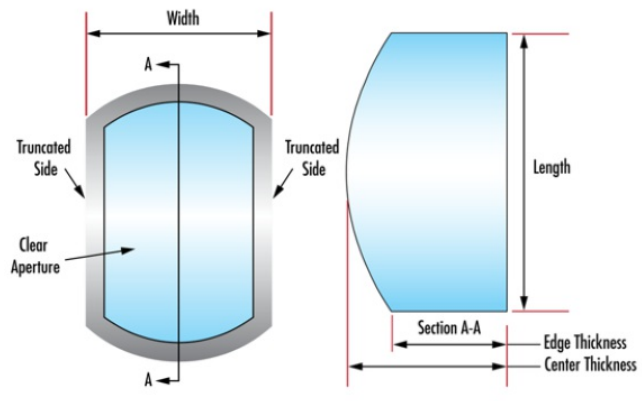
Learn more about our [custom manufacturing capabilities](#) or submit an inquiry [here](#).

Product Details

- Rectangular and Square Aspheres in 5 x 5mm to 12.5 x 25mm sizes
- Precision Grade Aspheric Figure Error
- Ideal for Integration into Space Sensitive Laser Systems

TECHSPEC® Truncated Precision Aspheric Lenses are truncated versions of our [TECHSPEC Precision Aspheric Lenses](#). These aspheric lenses are CNC polished to achieve a 0.4λ (Waves) RMS aspheric figure error and then cut to square or rectangular sizes. The precision aspheric figure error of these lenses makes them advantageous for demanding imaging or laser systems requiring spherical aberration correction. TECHSPEC Truncated Precision Aspheric Lenses with their space saving form factors are ideal for integration into medical devices, life science instrumentation, and industrial laser systems. Please contact us if your application requires a [TECHSPEC Aspheric Lens](#) truncated to meet specific size requirements.

Technical Information



;