

[See all 34 Products in Family](#)

**TECHSPEC® 1:1.25 with 40mm and 50mm EFL Achromats, 30mm Achromatic Pair**



TECHSPEC Mounted Achromatic Lens Pairs

Stock **#46-008** **1 In Stock**

⊖ 1 ⊕ MRP ₹26,635

● Price inclusive of all taxes

**ADD TO CART**

Volume Pricing	
Qty 1-5	₹26,635 each
Qty 6-25	₹21,288 each
Qty 26-49	₹20,683 each
Need More?	<a href="#">Request Quote</a>

Product Downloads

**General**

Relay Lens **Type:**

**Physical & Mechanical Properties**

22.0 **Clear Aperture CA (mm):**

**Center Air Spacing (mm):**

3.14

Housing Diameter (mm):

30 +0.0/-0.10

Housing Length (mm):

34 ±0.2

Lens Edge Spacing at Mount (mm):

8

Image Distance (mm):

39.68

Construction:

Achromat Pair in Anodized Aluminum Housing

## Optical Properties

Substrate:

S-BAH11 / N-SF10 / N-BAF10 / N-SF10

Surface Quality:

40-20

Working f#:

f/2.26

Coating:

MgF<sub>2</sub> (400-700nm)

Coating Specification:

R<sub>avg</sub> ≤ 1.75% @ 400 - 700nm

Effective Focal Length EFL A (mm):

40.00

Effective Focal Length EFL B (mm):

50.00

Magnification:

1:1.25

Object Distance (mm):

29.31

Wavelength Range (nm):

400 - 700

## Regulatory Compliance

RoHS 2015:

Compliant

Reach 209:

Compliant

Certificate of Conformance:

View

Country of Origin:

United States

Imported By:

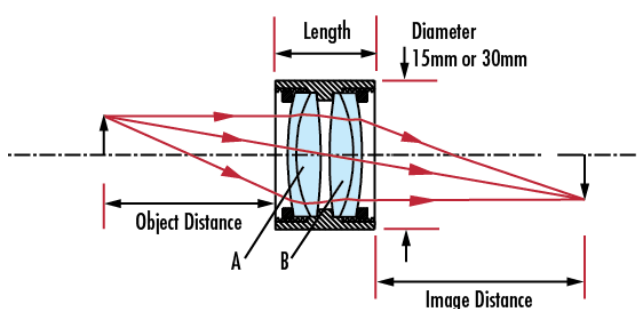
Edmund Optics India Private Limited  
267, Greystone Building, Second Floor,  
6th Cross Rd, Binnamangala,  
Stage 1, Indiranagar, Bengaluru,  
Karnataka, India 560038  
Phone: +91- 80-6845 0000

## Product Details

- 15mm and 30mm Diameter Options
- AR Coated Lenses
- Mounted Achromatic Pairs Kits Available

TECHSPEC® Mounted Achromatic Lens Pairs combine popular TECHSPEC® Achromats into common configurations used for relay and projection applications. Packaged in slim-line aluminum housing, each pair is ready for integration into a host of OEM applications, eliminating the need to handle loose optics. 15.0mm pairs can be coupled into C-mount components using [Helicoid Barrel Accessory](#). TECHSPEC Mounted Achromatic Lens Pairs have also been oriented for optimum system performance. All lenses, 15.0mm and 30.0mm, are AR coated. Lower f# pairs may not be ideal for imaging applications depending on the performance requirements. Cylinder lenses can be incorporated into empty barrels in order to generate lines or sheets of light.

## Technical Information



# Coating Curves

---