

[See all 34 Products in Family](#)

**TECHSPEC® 1:1 with 30mm and 30mm EFL Achromats, 15mm Achromatic Pair**



TECHSPEC Mounted Achromatic Lens Pairs

Stock **#43-999** **1 In Stock**

⊖ 1 ⊕ MRP ₹21,087

● Price inclusive of all taxes

**ADD TO CART**

Volume Pricing	
Qty 1-5	₹21,087 each
Qty 6-25	₹16,849 each
Qty 26-49	₹16,244 each
Need More?	<a href="#">Request Quote</a>

Product Downloads

**General**

Relay Lens **Type:**

**Physical & Mechanical Properties**

9.5 **Clear Aperture CA (mm):**

**Center Air Spacing (mm):**

2.05

Housing Diameter (mm):  
15 +0.0/-0.10

Housing Length (mm):  
21 ±0.2

Lens Edge Spacing at Mount (mm):  
4

Image Distance (mm):  
22.06

Construction:  
Achromat Pair in Anodized Aluminum Housing

### Optical Properties

Substrate:   
N-SSK8 / N-SF10 / N-SSK8 / N-SF10

Surface Quality:  
40-20

Working f#:  
f/3.15

Coating:  
MgF<sub>2</sub> (400-700nm)

Coating Specification:  
R<sub>avg</sub> ≤ 1.75% @ 400 - 700nm

Effective Focal Length EFL A (mm):  
30.00

Effective Focal Length EFL B (mm):  
30.00

Magnification:  
1:1

Object Distance (mm):  
22.06

Wavelength Range (nm):  
400 - 700

### Regulatory Compliance

RoHS 2015:  
Compliant

Reach 209:  
Compliant

Certificate of Conformance:  
View

Country of Origin:  
United States

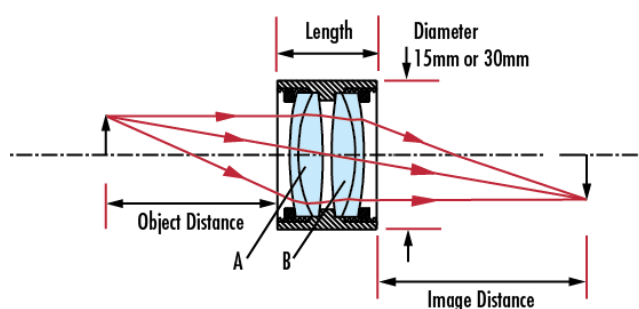
Imported By:  
Edmund Optics India Private Limited  
267, Greystone Building, Second Floor,  
6th Cross Rd, Binnamangala,  
Stage 1, Indiranagar, Bengaluru,  
Karnataka, India 560038  
Phone: +91- 80-6845 0000

## Product Details

- 15mm and 30mm Diameter Options
- AR Coated Lenses
- Mounted Achromatic Pairs Kits Available

TECHSPEC® Mounted Achromatic Lens Pairs combine popular TECHSPEC® Achromats into common configurations used for relay and projection applications. Packaged in slim-line aluminum housing, each pair is ready for integration into a host of OEM applications, eliminating the need to handle loose optics. 15.0mm pairs can be coupled into C-mount components using [Helicoid Barrel Accessory](#). TECHSPEC Mounted Achromatic Lens Pairs have also been oriented for optimum system performance. All lenses, 15.0mm and 30.0mm, are AR coated. Lower f# pairs may not be ideal for imaging applications depending on the performance requirements. Cylinder lenses can be incorporated into empty barrels in order to generate lines or sheets of light.

## Technical Information



# Coating Curves

---