

[See all 10 Products in Family](#)

10X ZEISS A-Plan Objective

See More by [ZEISS](#)



ZEISS A-Plan Objectives



Stock #13-816 **10 In Stock**

- 1 + MRP ₹33,878

● Price inclusive of all taxes

ADD TO CART

| Volume Pricing | |
|----------------|-------------------------------|
| Qty 1+ | ₹33,878 each |
| Need More? | Request Quote |

Product Downloads

General

421040-9900-000 **Model Number:**

Compatible Tube Lens Focal Length (mm):
Focal Length: 164.50mm

Microscope Objective **Type:**

Fluorescence, BrightField
Typical Applications:

Infinity Corrected
Style:

Zeiss
Manufacturer:

Physical & Mechanical Properties

2.3
Field of View (mm):

40.40
Length excluding Threads (mm):

30
Maximum Diameter (mm):

152
Weight (g):

Optical Properties

0.17
Compatible Cover Glass Thickness (mm):

16.50
Focal Length FL (mm):

10X
Magnification:

0.25
Numerical Aperture NA:

1.1
Resolving Power (µm):

4.40
Depth of Field (µm):

4.5
Working Distance (mm):

480 - 650
Wavelength Range (nm):

23
Field Number (mm):

45.06
Parfocal Length (mm):

N/A
Immersion Liquid:

Threading & Mounting

M27 x 0.75
Mounting Threads:

Environmental & Durability Factors

+10 to +40
Operating Temperature (°C):

75% at 35°C
Operating Humidity:

Regulatory Compliance

[View](#)
Certificate of Conformance:

China
Country of Origin:

Imported By:
Edmund Optics India Private Limited
267, Greystone Building, Second Floor,
6th Cross Rd, Binnamangala,
Stage 1, Indiranagar, Bengaluru,
Karnataka, India 560038
Phone: +91- 80-6845 0000

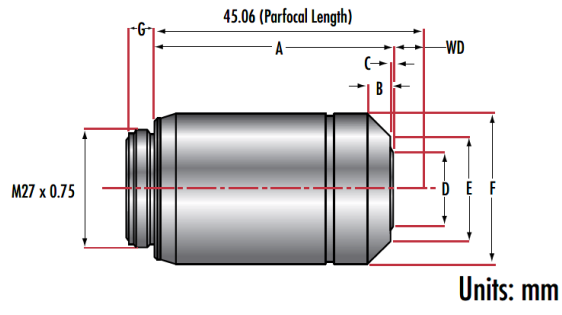
Product Details

- Ideal for Brightfield and Fluorescence Applications
- Excellent Color Correction and Flatness of Field
- Oil Immersion Options Available

ZEISS A-Plan Infinity Corrected Objectives are designed for a variety of routine life science applications. These objectives exhibit excellent color correction and flatness of field that satisfy ISO 19012-1:2013 standards. They are ideal for brightfield inspection of fixed and stained tissues or cells in fluorescence applications. The large field number of 23mm facilitates fast screening of samples. ZEISS A-Plan Infinity Corrected Objectives are corrected for standard cover slips with 0.17mm thickness.

Note: Tube Lens [#13-828](#) is required when using ZEISS A-Plan Infinity Corrected Objectives with non-ZEISS Infinity Color Corrected (ICS) microscope systems.

Technical Information



| Stock No. | A-Plan | A | B | C | D | E | F | G | W.D. | PFL | Mounting Threads |
|-----------|----------|------|-------|------|------|------|------|-----|-------|-------|------------------|
| #13-814 | 2.5X | 34.5 | 6.25 | 2.75 | 17.0 | 22.5 | 30.0 | 3.9 | 10.40 | 45.06 | M27x0.75 |
| #13-815 | 5X | 34.8 | 7.25 | 2.75 | 17.0 | 22.5 | 30.0 | 3.9 | 10.10 | 45.06 | M27x0.75 |
| #13-816 | 10X | 40.4 | 4.75 | 5.25 | 12.0 | 22.5 | 30.0 | 3.9 | 4.50 | 45.06 | M27x0.75 |
| #13-817 | 20X | 44.4 | 7.90 | 6.30 | 6.4 | 22.0 | 30.0 | 4.0 | 0.46 | 45.06 | M27x0.75 |
| #13-818 | 40X | 44.4 | 8.00 | 3.30 | 7.0 | 21.0 | 30.0 | 4.0 | 0.45 | 45.06 | M27x0.75 |
| #13-819 | 63X | 44.6 | 8.00 | 6.60 | 7.0 | 22.0 | 30.0 | 4.0 | 0.30 | 45.06 | M27x0.75 |
| #13-820 | 100X | 43.9 | 10.70 | 3.20 | 7.1 | 19.0 | 30.0 | 3.9 | 0.97 | 45.06 | M27x0.75 |
| #13-821 | 100X OIL | 44.7 | 9.00 | 5.70 | 7.0 | 19.0 | 30.0 | 4.0 | 0.22 | 45.06 | M27x0.75 |