

[See all 15 Products in Family](#)

10X Mitutoyo Plan Apo HR Infinity Corrected Objective

See More by [Mitutoyo](#)



Stock #58-236 **2 In Stock**

MRP ₹11,26,782

Price inclusive of all taxes

ADD TO CART

| | |
|----------------|-------------------------------|
| Volume Pricing | |
| Qty 1+ | ₹11,26,782 each |
| Need More? | Request Quote |

Product Downloads

General

378-788-15 **Model Number:**

Compatible Tube Lens Focal Length (mm):
Focal Length: 200mm

Microscope Objective **Type:**

Style:

Manufacturer:
Mitutoyo

Physical & Mechanical Properties

Length excluding Threads (mm):
80.00

Maximum Diameter (mm):
34

Weight (g):
460.00

Exit Pupil Diameter (mm):
16.80

Optical Properties

Compatible Cover Glass Thickness (mm):
N/A

Horizontal Field of View, 1/2" Sensor:
0.64mm

Horizontal Field of View, 2/3" Sensor:
0.88mm

Focal Length FL (mm):
20.00

Magnification:
10X

Numerical Aperture NA:
0.42

Resolving Power (μm):
0.6

Depth of Field (μm):
1.55

Field of View, 24 Diameter Field Eyepiece (mm):
2.4

Field of View, 18 Diameter Field Eyepiece (mm):
1.8

Working Distance (mm):
15.0

Wavelength Range (nm):
435 - 655

Parfocal Length (mm):
95

Immersion Liquid:
N/A

Sensor

Maximum Sensor Format:
2/3"

Threading & Mounting

Mounting Threads:
M26 x 36 TPI

Environmental & Durability Factors

Operating Temperature ($^{\circ}\text{C}$):
+5 to +40

Operating Humidity:
20 - 80%

Regulatory Compliance

RoHS 2015:
[Exempt](#)

Certificate of Conformance:
[View](#)

REACH 241:
[Contains SVHC\(s\)](#)

Country of Origin:
Japan

Imported By:
Edmund Optics India Private Limited
267, Greystone Building, Second Floor,
6th Cross Rd, Binnamangala,
Stage 1, Indiranagar, Bengaluru,
Karnataka, India 560038
Phone: +91- 80-6845 0000

Product Details

- Long Working Distances
- Bright Field Inspection
- High Quality Plan Apochromat Design
- Flat Image Surface over Entire Field of View

Mitutoyo Infinity Corrected Long Working Distance Objectives are world-renowned for setting the standard of excellence for long working distance microscope optics. They have achieved the best combination of working distance and optical performance by using a new approach—avoiding outdated conventions used by competitors. Making the objectives larger and longer has made the designs easier (95mm parfocalization length). The lenses are all Plano Apochromats to maintain as high an N.A. and contrast as possible. An apochromatic objective lens is chromatic aberration corrected for red, blue, and yellow, while a standard achromatic objective lens is only corrected for red and blue. Plano Apochromats are typically very expensive, but high-volume production has made it possible to keep the cost down comparative to standard Achromat long working distance objectives. Mitutoyo Infinity Corrected Long Working Distance Objectives are optimized for bright field illumination (incident illumination parallel to the optical axis) and are ideal for in-line illumination applications. A secondary (or tube) lens is required for an infinity correction system. All stated magnifications are based on a tube lens focal length of 200mm. Mounting thread: M26 x 0.706 pitch (36 TPI).

M Plan Apo SL Series

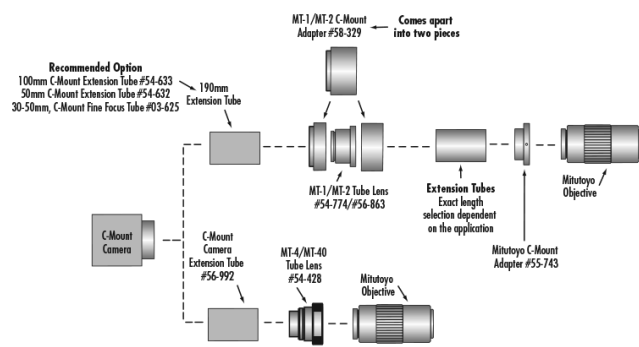
- Super-Long Working Distance for Bright Field Inspection
- 13mm Working Distance for 100X and 200X Models
- High Quality Apochromat Design
- Flat Image Surface over Entire Field of View
- Good Color Reproducibility

Accessory Tube Lenses

[Accessory Tube Lenses](#) and [C-Mount Thread Adapters](#) can be used to adapt the Mitutoyo objectives to additional configurations.

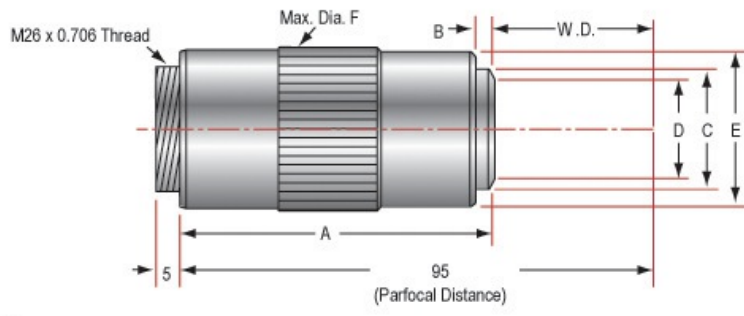
Edmund Optics is the main source for Mitutoyo Objectives. Place your orders now for these in demand quality products.

Technical Information



| Stock No. | M Plan Apo | A | B | C | D | E | F | W.D. |
|-----------|---------------|------|-----|------|------|------|------|------|
| #58-235 | 1X | 84.0 | - | 38.0 | - | 41.0 | 34.0 | 11.0 |
| #46-142 | 2X | 61.0 | 1.4 | 27.5 | 24.7 | 32.2 | 34.0 | 34.0 |
| #46-143 | 5X | 61.0 | 1.6 | 25.0 | 23.0 | 32.2 | 34.0 | 34.0 |
| #66-383 | 7.5X | 60.0 | - | 25.0 | 24.0 | 32.2 | 34.0 | 35.0 |
| #46-144 | 10X | 61.0 | 2.0 | 28.2 | - | 32.2 | 34.0 | 34.0 |
| #46-145 | 20X | 75.0 | 1.5 | 29.2 | - | 32.2 | 34.0 | 20.0 |
| #46-146 | 50X | 82.0 | 1.5 | 29.2 | - | 32.2 | 34.0 | 13.0 |
| #46-147 | 100X | 89.0 | 4.7 | 29.2 | 17.8 | 32.2 | 34.0 | 6.0 |
| Stock No. | M Plan Apo HR | A | B | C | D | E | F | W.D. |
| #34-247 | 5XHR | 69.5 | 3.7 | 24.8 | - | 32.2 | 34.0 | 25.5 |
| #58-236 | 10XHR | 80.0 | 7.5 | 29.0 | 26.0 | 37.0 | 39.0 | 15.0 |
| #58-237 | 50XHR | 89.8 | 2.0 | 28.2 | - | 32.2 | 34.0 | 5.2 |
| #58-238 | 100XHR | 93.7 | 2.0 | 28.2 | - | 32.2 | 34.0 | 1.3 |
| Stock No. | M Plan APO SL | A | B | C | D | E | F | W.D. |
| #46-398 | 20XSL | 64.5 | 1.5 | 24.8 | 24.0 | 32.2 | 34.0 | 30.5 |
| #46-399 | 50XSL | 74.5 | 3.9 | 25.2 | 23.5 | 32.2 | 34.0 | 20.5 |
| #46-401 | 100XSL | 82.0 | 1.4 | 23.9 | 22.0 | 32.2 | 34.0 | 13.0 |

Mitutoyo Long Working Distance Objectives



Units: mm