

[See all 7 Products in Family](#)

# 10X Mitutoyo BD Plan Apo Objective

See More by [Mitutoyo](#)



Mitutoyo Brightfield and Darkfield (BD) Infinity Corrected Objectives

Stock **#18-405** **1 In Stock**

1  MRP ₹1,53,990

**i** Price inclusive of all taxes

**ADD TO CART**

Volume Pricing	
Qty 1+	₹1,53,990 each
Need More?	<a href="#">Request Quote</a>

## Product Downloads

### General

378-833-7 **Model Number:**

**Compatible Tube Lens Focal Length (mm):**  
Focal Length: 200mm

Microscope Objective **Type:**

Infinity Corrected **Style:**

Mitutoyo **Manufacturer:**

**Note:**  
#18-653 or #18-652 are required for darkfield operation.

## Physical & Mechanical Properties

Length excluding Threads (mm):  
61.00

Maximum Diameter (mm):  
44

Weight (g):  
350

## Optical Properties

Compatible Cover Glass Thickness (mm):  
N/A

Focal Length FL (mm):  
20.00

Magnification:  
10X

Numerical Aperture NA:  
0.28

Resolving Power (μm):  
1

Depth of Field (μm):  
3.50

Field of View, 24 Diameter Field Eyepiece (mm):  
2.4

Working Distance (mm):  
34

Wavelength Range (nm):  
435 - 655

Parfocal Length (mm):  
95

Immersion Liquid:  
N/A

## Sensor

Maximum Sensor Format:  
2/3"

## Threading & Mounting

Mounting Threads:  
M40 x 36 TPI

## Environmental & Durability Factors

Operating Temperature (°C):  
+5 to +40

## Regulatory Compliance

**RoHS 2015:**  
[Exempt](#)

**Certificate of Conformance:**  
[View](#)

**REACH 241:**  
[Contains SVHC\(s\)](#)

**Country of Origin:**  
Japan

**Imported By:**  
Edmund Optics India Private Limited  
267, Greystone Building, Second Floor,  
6th Cross Rd, Binnamangala,  
Stage 1, Indiranagar, Bengaluru,  
Karnataka, India 560038  
Phone: +91- 80-6845 0000

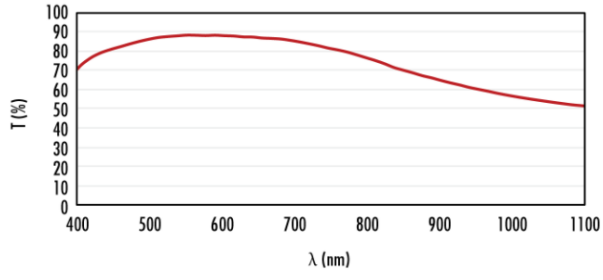
## Product Details

- Ideal for Brightfield and Darkfield Microscopy Applications
- Long Working Distances and High Numerical Apertures
- Plan Achromat Design

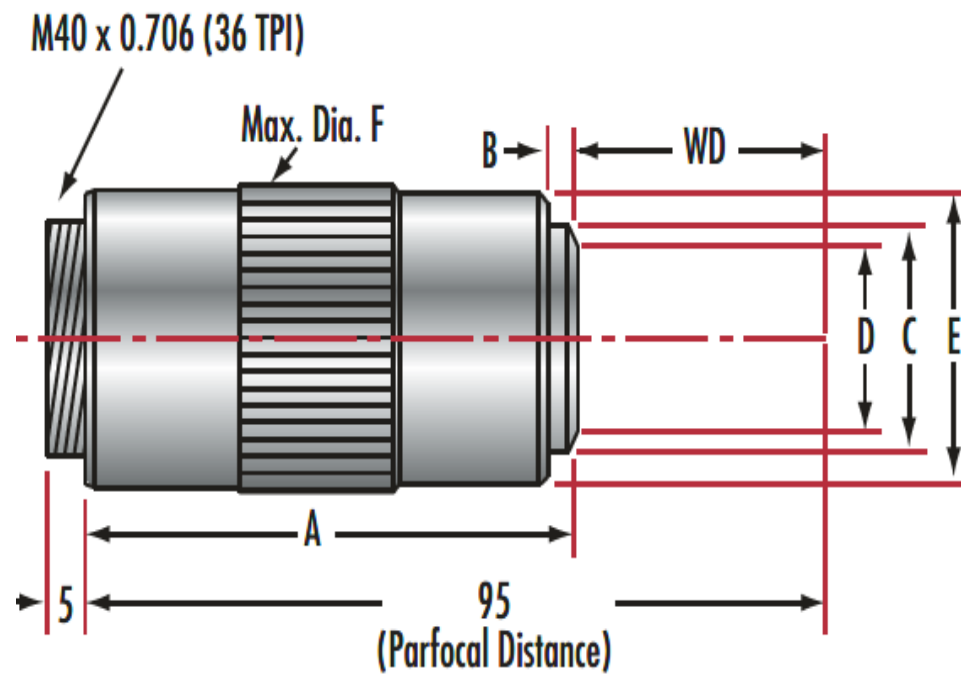
Mitutoyo Brightfield and Darkfield (BD) Infinity Corrected Objectives offer long working distances with high numerical apertures. The high-quality plan apochromatic design allows these objectives to maintain high numerical apertures and contrast while correcting chromatic aberration in the visible wavelength region. These objectives feature M40 x 36TPI mounting threads. Mitutoyo Brightfield and Darkfield (BD) Infinity Corrected Objectives are optimized for both brightfield and darkfield illumination for applications including surface inspection and advanced life science microscopy.

# Technical Information

Mitutoyo BD Plan Apo Objectives  
Typical Transmission



Stock No.	BD Plan Apo	A	B	C	D	E	F	W.D.
#18-402	2X	61.0	4.0	40.0	37.0	42.0	44.0	34.0
#18-403	5X	61.0	4.0	40.0	37.0	42.0	44.0	34.0
#18-404	7.5X	61.0	4.0	40.0	37.0	42.0	44.0	34.0
#18-405	10X	61.0	4.0	40.0	37.0	42.0	44.0	34.0
#18-406	20X	75.0	7.0	40.0	32.0	42.0	44.0	20.0
#18-407	50X	82.0	8.5	40.0	32.0	42.0	44.0	13.0
#18-408	100X	89.0	10.0	40.0	31.5	42.0	44.0	6.0
Stock No.	BD Plan Apo SL	A	B	C	D	E	F	W.D.
#18-409	20XSL	64.5	7.5	40.0	31.0	42.0	44.0	30.5
#18-410	50XSL	75.0	7.0	40.0	32.0	42.0	44.0	20.0
Stock No.	BD Plan APO HR	A	B	C	D	E	F	W.D.
#18-411	50XHR	89.9	4.8	40.0	32.0	42.0	44.0	5.2
#18-412	100XHR	93.7	4.7	40.0	32.0	42.0	44.0	1.3



Units: mm