

[See all 3 Products in Family](#)

10X EO HR Infinity Corrected Objective



10XEO HR Infinity Corrected Objective (#58-372)

Stock **#58-372** **6 In Stock**

MRP ₹3,16,476

Price inclusive of all taxes

ADD TO CART

Volume Pricing	
Qty 1-4	₹3,16,476 each
Qty 5+	₹3,00,546 each
Need More?	Request Quote

Product Downloads

General

28-20-45-000 **Model Number:**

Compatible Tube Lens Focal Length (mm):
Focal Length: 200mm

Microscope Objective **Type:**

Infinity Corrected **Style:**

Physical & Mechanical Properties

Length excluding Threads (mm):

76.00

Maximum Diameter (mm):

34

Weight (g):

205.00

Optical Properties

Horizontal Field of View, 1/2" Sensor:

0.64mm

Horizontal Field of View, 2/3" Sensor:

0.88mm

Field Stop Diameter (mm):

11.00

Focal Length FL (mm):

20.00

Magnification:

10X

Numerical Aperture NA:

0.45

Resolving Power (μm):

0.74

Depth of Field (μm):

2.70

Working Distance (mm):

19.00

Wavelength Range (nm):

400 - 700

Parfocal Length (mm):

95

Immersion Liquid:

N/A

Threading & Mounting

Mounting Threads:

M26 x 36 TPI

Environmental & Durability Factors

Operating Temperature ($^{\circ}\text{C}$):

+23 \pm 5

Operating Humidity:

30 - 70%

Regulatory Compliance

RoHS 2015:

[Compliant](#)

Certificate of Conformance:

[View](#)

Reach 235:

[Compliant](#)

Country of Origin:

Singapore

Imported By:

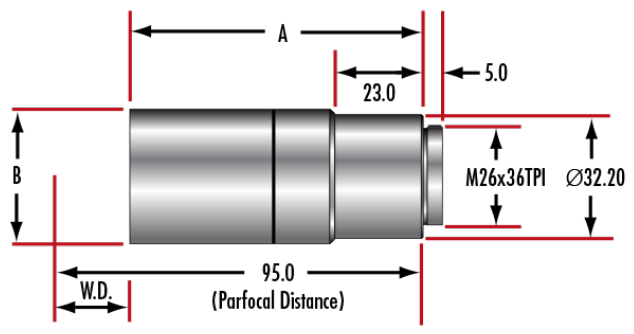
Edmund Optics India Private Limited
267, Greystone Building, Second Floor,
6th Cross Rd, Binnamangala,
Stage 1, Indiranagar, Bengaluru,
Karnataka, India 560038
Phone: +91- 80-6845 0000

Product Details

- High Resolving Power
- Designed for use in Zoom Lens Systems
- Features Mitutoyo Standard M26 x 36 TPI Threads

EO High Resolution Infinity Corrected Objectives are designed for high resolution over a small field of view. These objectives feature Mitutoyo standard M26 x 36 TPI threads and a 95mm parfocal length which allows them to be used interchangeably with Mitutoyo microscopes and accessories. While usable with Mitutoyo microscopes and accessories, these objectives perform best when used in a zoom lens system. EO High Resolution Infinity Corrected Objectives feature near-diffraction limited on axis performance. For longer working distance objectives that can be used in Mitutoyo systems, see our [EO Infinity Corrected Long Working Distance Objectives](#).

Technical Information



;