

## 10X DIN Semi-Plan Intl Standard Objective



Stock #38-342 **20+ In Stock**

MRP ₹28,302

● Price inclusive of all taxes

**ADD TO CART**

Volume Pricing	
Qty 1-9	₹28,302 each
Qty 10-24	₹25,488 each
Need More?	<a href="#">Request Quote</a>

### Product Downloads

#### General

Semi-Plan **Type:**

**Note:**  
Designed to include a cover glass with 0.17mm in thickness

#### Physical & Mechanical Properties

38.70 **Length excluding Threads (mm):**

25.0 Maximum Diameter (mm):

## Optical Properties

10X Magnification:

0.25 Numerical Aperture NA:

1.80 Field of View, 18 Diameter Field Eyepiece (mm):

10.0 Working Distance (mm):

## Threading & Mounting

RMS / 20.32mm x 36 TPI Mounting Threads:

## Regulatory Compliance

Exempt RoHS 2015:

View Certificate of Conformance:

Contains SVHC(s) Reach 240:

China Country of Origin:

Imported By:  
Edmund Optics India Private Limited  
267, Greystone Building, Second Floor,  
6th Cross Rd, Binnamangala,  
Stage 1, Indiranagar, Bengaluru,  
Karnataka, India 560038  
Phone: +91- 80-6845 0000

## Product Details

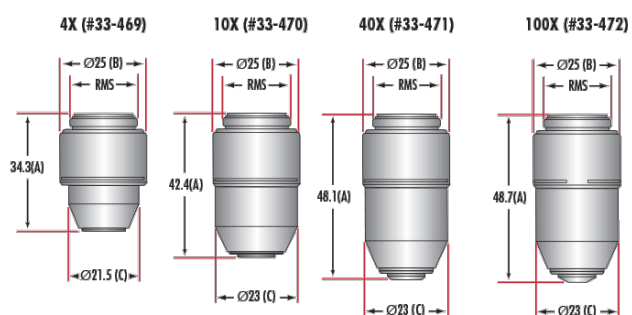
- For Use with RMS Thread Microscopes
- AR Coated Optics
- 4X to 100X Magnifications Available

International Standard Microscope Objectives can be used with most major brands of microscopes that utilize RMS mounting threads. Our product offering features DIN 45mm standard objectives with achromatic and semi-plan designs. The achromatic design ensures proper color correction for broadband white light sources, while semi-plan designs have an added feature to create a flatter image field. International Standard Microscope Objectives include AR-coated optics to ensure maximum transmission and reduce internal reflections in the optical assembly. All 20X to 100X objectives have spring-loaded (retractable) front ends to prevent slide damage.

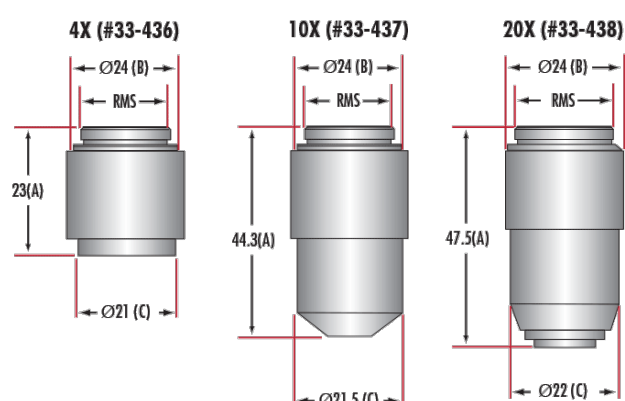
**Note:** Oil immersion is recommended for all 100X objectives with an NA higher than 1.0 (part number [#86-834](#)).

## Technical Information

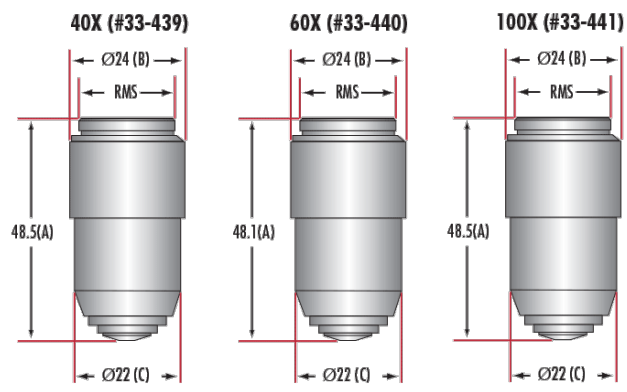
### DIN Objectives - Micro Plan



### DIN Objectives - Achromatic



**DIN Objectives - Achromatic**



Magnification	A	B	C
4X	23mm	24mm	21mm
10X	44.3mm	24mm	21.5mm
20X	47.5mm	24mm	22mm
40X	48.5mm	24mm	22mm
60X	48.1mm	24mm	22mm
100X	48.5mm	24mm	22mm

Magnification	A	B	C
4X	34.3mm	25mm	21.5mm
10X	42.4mm	25mm	23mm
40X	48.1mm	25mm	23mm
100X	48.7mm	25mm	23mm