

TECHSPEC® 1.0X, 2/3" GoldTL™ Telecentric Lens



#55-350 (1.0X)

Stock **#55-350** **2 In Stock**

⊖ 1 ⊕ MRP ₹1,95,256

📌 Price inclusive of all taxes

ADD TO CART

Volume Pricing	
Qty 1+	₹1,95,256 each
Need More?	Request Quote

Product Downloads

General

GoldTL™ Series **Product Family:**

Stock No. of Mounting Clamp:
#56-024 Sold Separately

Telecentric Lens **Type:**

Focusable Telecentric **Special Type of Lens:**

Physical & Mechanical Properties

Variable	Iris Option:
200.10	Length (mm):
200.10	Length excluding Threads (mm):
68.00	Maximum Diameter (mm):
1.1	Weight (kg):

Optical Properties

8.8mm	Horizontal Field of View, 2/3" Sensor:
7.2mm	Horizontal Field of View, 1/1.8" Sensor:
6.4mm	Horizontal Field of View, 1/2" Sensor:
11.00	Maximum Image Circle (mm):
0.087	Numerical Aperture NA, Object Side:
>50% @40 lp/mm	Resolution, Image Space MTF @ f/10:
9 (7)	Number of Elements (Groups):
<0.018	Typical Telecentricity @ 588nm (°):
0.003	Typical Distortion @ 588nm (%):
1X	Primary Magnification PMAG:
1.00	Telecentric Lens Magnification:
98 - 123	Working Distance (mm):
8.8 x 6.6	FOV @ Max Sensor Format, H x V (mm):
f/6 - f/25	Aperture (f/#):
M4 MgF ₂	Coating:
±0.6 at f/10 (20% @ 20 lp/mm)	Depth of Field (mm):
1X	Magnification:
VIS	Lens Wavelength Range:

Sensor

2/3"	Maximum Sensor Format:
2.74	Pixel Size (µm):

Threading & Mounting

M62 x 0.75 (Female)	Filter Thread:
C-Mount	Mount:

Regulatory Compliance

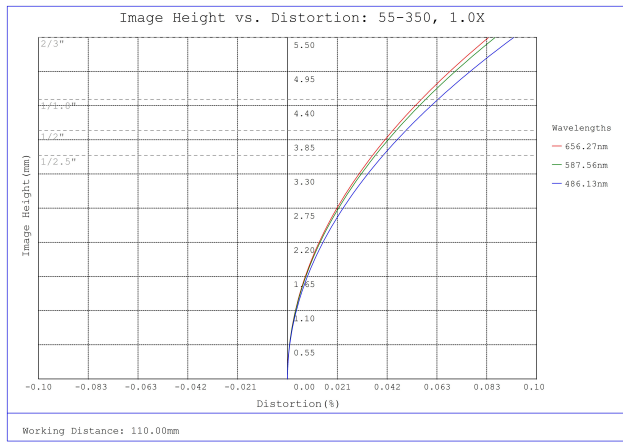
Compliant	RoHS 2015:
Compliant	REACH 201:
View	Certificate of Conformance:
China	Country of Origin:
Edmund Optics India Private Limited 267, Greystone Building, Second Floor, 6th Cross Rd, Binnamangala,	Imported By:

Product Details

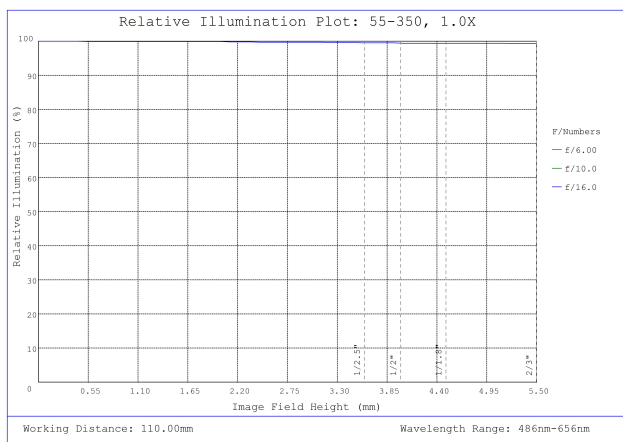
- High Resolution Telecentric Lens for Measurement and Gauging
- Up to 5 MegaPixels, 3.45µm Pixel Size Sensors
- Up to 2/3", C-Mount Telecentric Lens
- Magnification from 0.06X to 1X

TECHSPEC® GoldTL™ Telecentric Lenses were designed specifically for machine vision and metrology applications. The unique focusable design allows for working distance adjustment, while still providing <math><0.2^\circ</math> telecentricity. These lenses also feature high resolutions, low distortions, and are available for 1/2" or 2/3" sensors. TECHSPEC® GoldTL™ Telecentric Lenses have a front filter thread for easy integration of [color filters](#), [polarizers](#) or other mounted components. Both the iris and focusing adjustment positions can be fixed by set screws to remain secure in high vibration environments.

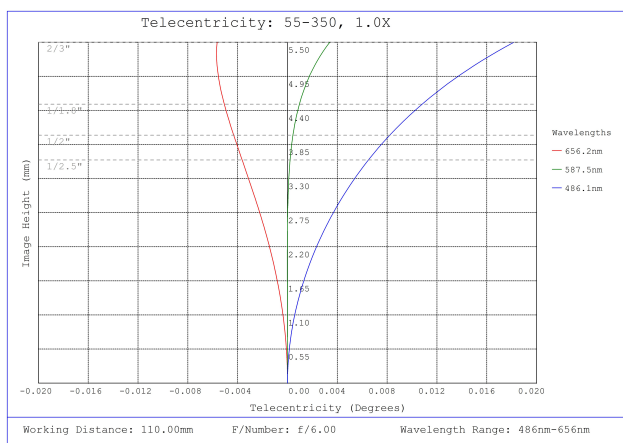
Technical Information



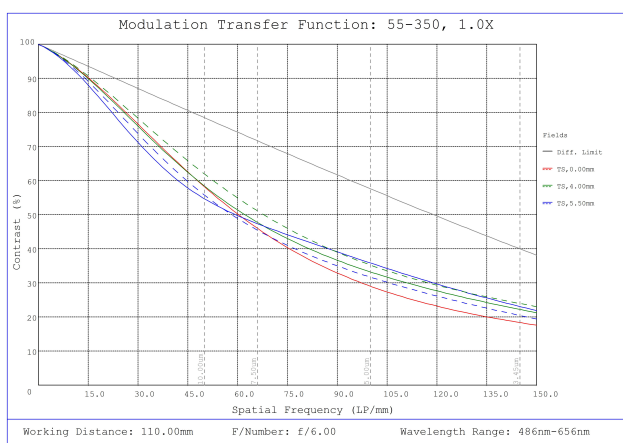
#55-350, 1.0X 2/3" GoldTL™ Telecentric Lens, Distortion Plot



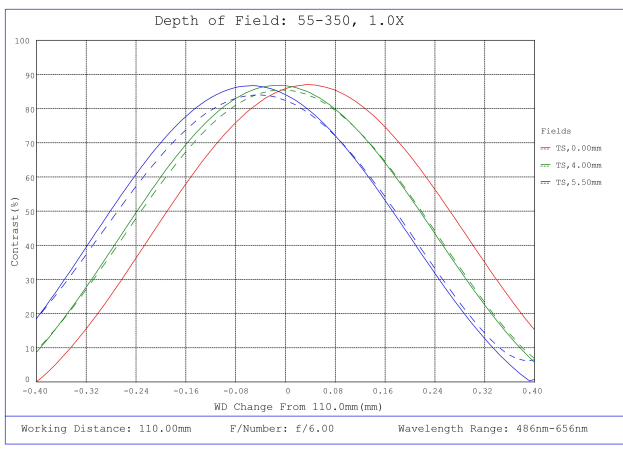
#55-350, 1.0X 2/3" GoldTL™ Telecentric Lens, Relative Illumination Plot



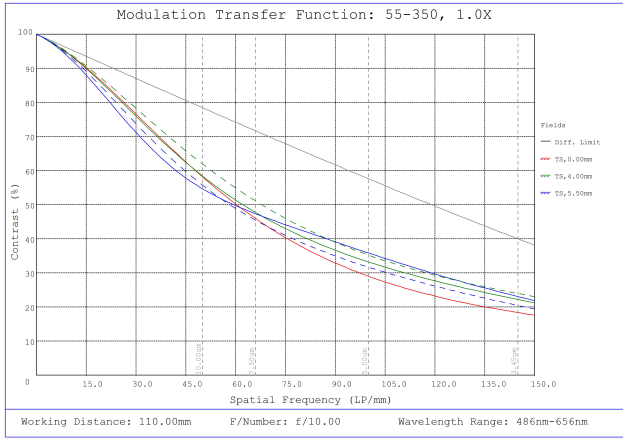
#55-350, 1.0X 2/3" GoldTL™ Telecentric Lens, Telecentricity Plot



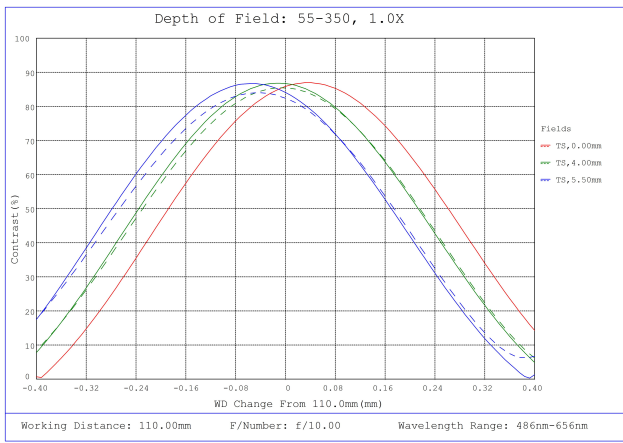
#55-350, 1.0X 2/3" GoldTL™ Telecentric Lens, Modulated Transfer Function (MTF) Plot, 110mm Working Distance, f6



#55-350, 1.0X 2/3" GoldTL™ Telecentric Lens, Depth of Field Plot, 110mm Working Distance, f6



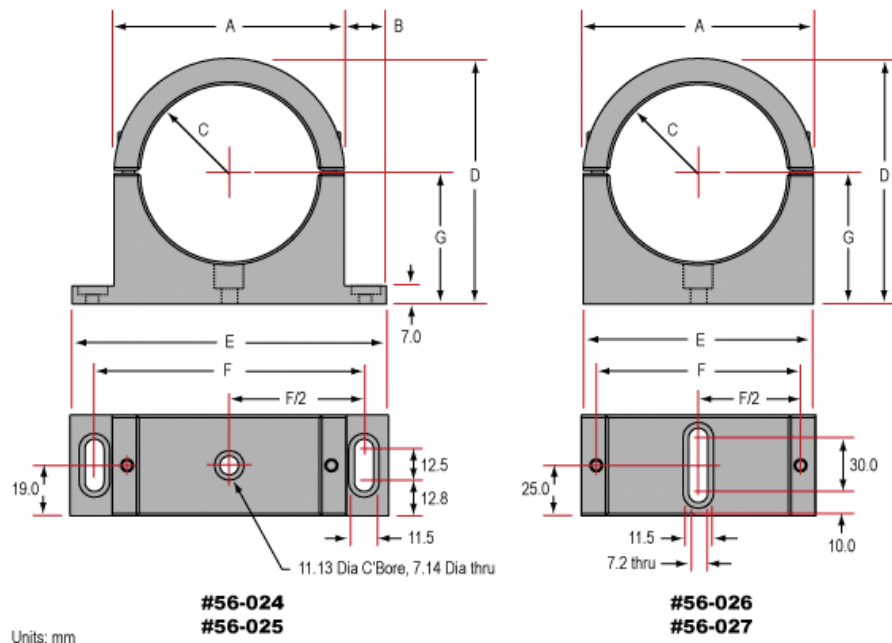
#55-350, 1.0X 2/3" GoldTL™ Telecentric Lens, Modulated Transfer Function (MTF) Plot, 110mm Working Distance, f10



#55-350, 1.0X 2/3" GoldTL™ Telecentric Lens, Depth of Field Plot, 110mm Working Distance, f10

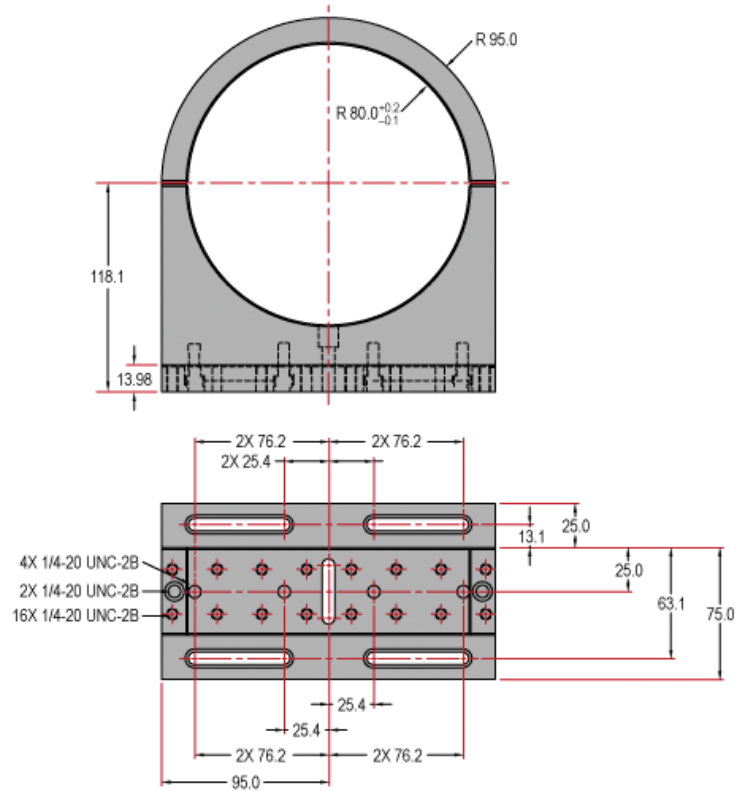
Stock No.	A	B	C	D	E	F	G
#56-024	88mm	16mm	34mm	94mm	120mm	101.6mm	50mm
#56-025	85mm	17.5mm	32.5mm	91mm	120mm	101.6mm	48.5mm
#56-026	103mm	—	39.5mm	107mm	103mm	90mm	55.5mm
#56-027	134mm	—	55mm	148mm	134mm	122mm	81mm

Telecentric Lens Mounts



Units: mm

Telecentric Lens Mount for #56-948



Units: mm