

1.0" Angle Mirror Mount with Mirror



1.0" Angle Mirror Mount with Mirror

Stock **#33-504** **5 In Stock**

MRP ₹13,419

Price inclusive of all taxes

ADD TO CART

Volume Pricing

Qty 1+	₹13,419 each
Need More?	Request Quote

Product Downloads

General

Adjustable - Tip-Tilt **Type:**

Square or Rectangular **Type of Optics:**

Fixed mirror included **Note:**

1.0" Angle **Type of Mount:**

Physical & Mechanical Properties

0.1	Weight (lbs):
	Construction: Black Anodized Aluminum, Stainless Steel
15	Fine Tilt Angle (°):
0.015	Resolution (inches):
15	Fine Tip Angle (°):
0.015	Adjustment Screw Pitch (inches):
0.75	Centerline Height (inches):
22 x 22	Pre-Mounted Mirror Size (mm):

Threading & Mounting

3.0 - 25.4	Size of Compatible Optics (mm):
1/4-20	Compatible Post:
1.0 Sq.	Mounting Plate Size (inches):

Regulatory Compliance

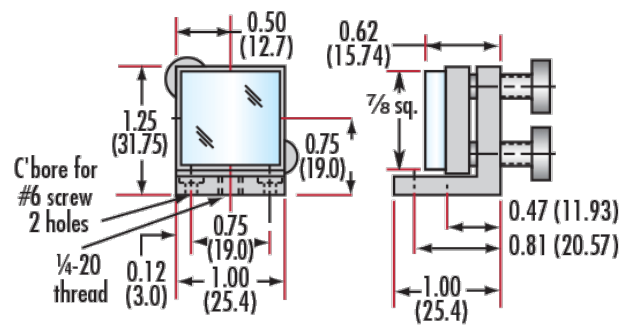
Compliant	RoHS 2015:
View	Certificate of Conformance:
United States	Country of Origin:
Edmund Optics India Private Limited 267, Greystone Building, Second Floor, 6th Cross Rd, Binnamangala, Stage 1, Indiranagar, Bengaluru, Karnataka, India 560038 Phone: +91- 80-6845 0000	Imported By:

Product Details

- 1.0" or 1.5" Square Mounting Surface
- Two Fine Adjustment Screws (64-Pitch) Allow for Tilting
- Models with Pre-Mounted $\lambda/4$ Mirror Available
- Straight or Angle Configuration Options Available

Small Mirror Mounts are available with a 1.0" or 1.5" square mounting surface. These optical mirror mounts feature two stainless steel fine-resolution (64-pitch) mounting screws that provide precise tilting of the mounting surface in two directions. These optical mirror mounts are suitable for mounting to most post mounts. Small Mirror Mounts are constructed of black anodized aluminum and each type has an option for an included fixed mirror. These mounts feature mounting holes in various sizes, including 1/4-20 and 10-32.

Technical Information



#33-504