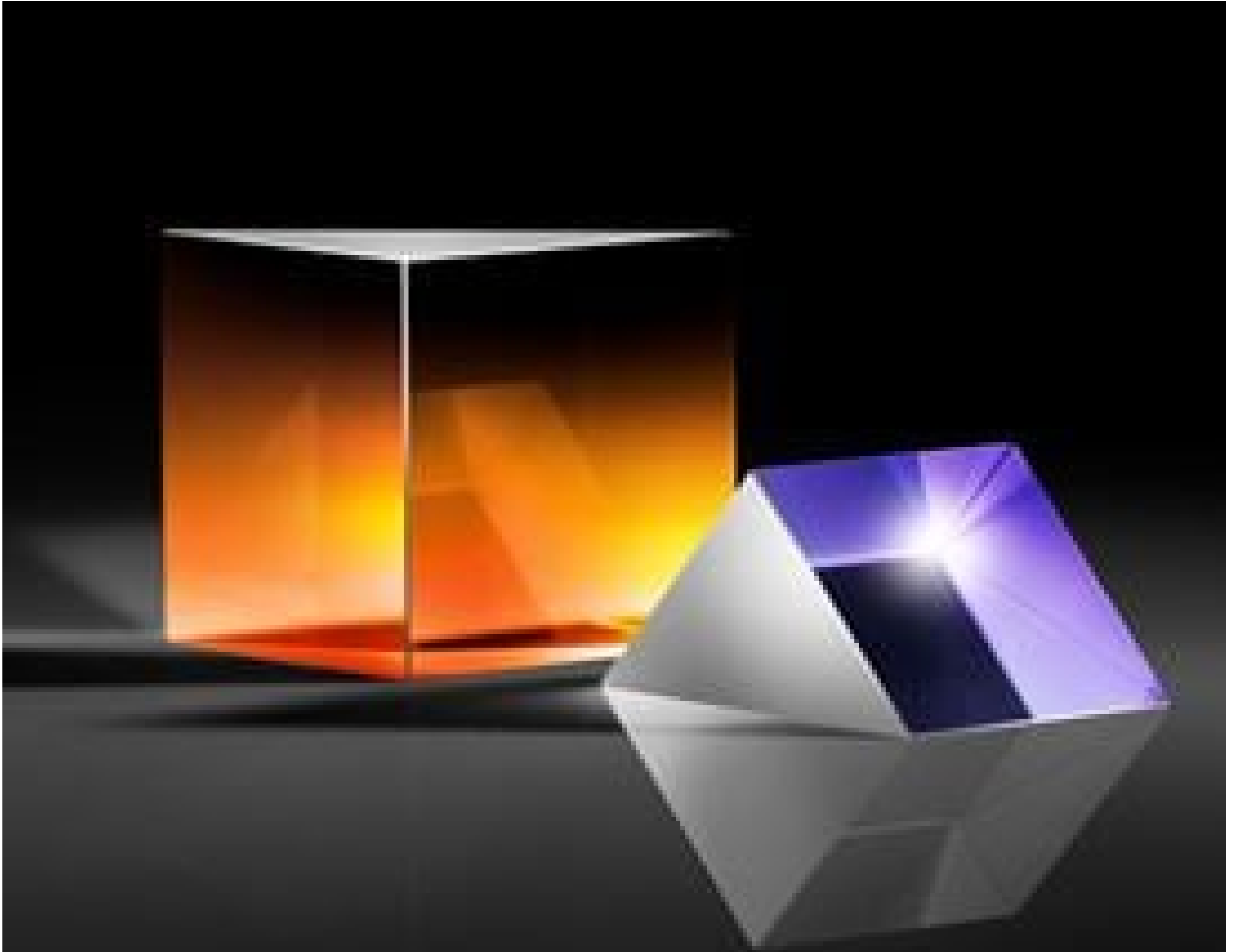


[See all 24 Products in Family](#)

TECHSPEC® 10mm $\lambda/20$, 1064nm V-Coat, Nd:YAG Right Angle Prism



TECHSPEC Nd:YAG Laser Line $\lambda/20$ UV Fused Silica Right Angle Prisms

Stock #37-635 **11 In Stock**

1 MRP ₹35,715

Price inclusive of all taxes

ADD TO CART

Volume Pricing	
Qty 1-5	₹35,715 each
Qty 6-25	₹28,552 each
Qty 26-49	₹26,837 each
Need More?	Request Quote

Product Downloads

General

Right Angle Prism **Type:**

Physical & Mechanical Properties

+0.00/-0.10 **Dimensional Tolerance (mm):**

Bevel:

Protective as needed

90 Clear Aperture (%):

14.10 Length of Hypotenuse (mm):

10.00 Length of Legs (mm):

Optical Properties

±15 Angle Tolerance (arcsec):

Laser V-Coat (1064nm) Coating:

1064 Design Wavelength DWL (nm):

Fused Silica (Corning 7980) Substrate:

20-10 Surface Quality:

±1 Pyramid Tolerance (arcmin):

Left-Handed Image Orientation:

R_{abs} <0.25% @ 1064nm Coating Specification:

λ/20 Surface Flatness (P-V):

15 J/cm², 20ns, 20 Hz Damage Threshold, By Design:

Regulatory Compliance

Compliant RoHS 2015:

Compliant Reach 209:

View Certificate of Conformance:

Singapore Country of Origin:

Edmund Optics India Private Limited Imported By:

267, Greystone Building, Second Floor,
6th Cross Rd, Binnamangala,
Stage 1, Indiranagar, Bengaluru,
Karnataka, India 560038
Phone: +91- 80-6845 0000

Need different specs or modifications?

Edmund Optics offers comprehensive custom manufacturing services for optical and imaging components tailored to your specific application requirements. Whether in the prototyping phase or preparing for full-scale production, we provide flexible solutions to meet your needs. Our experienced engineers are here to assist—from concept to completion.

Our capabilities include:

- Custom dimensions, materials, coatings, and more
- High-precision surface quality and flatness
- Tight tolerances and complex geometries
- Scalable production—from prototype to volume

Learn more about our [custom manufacturing capabilities](#) or submit an inquiry [here](#).

Product Details

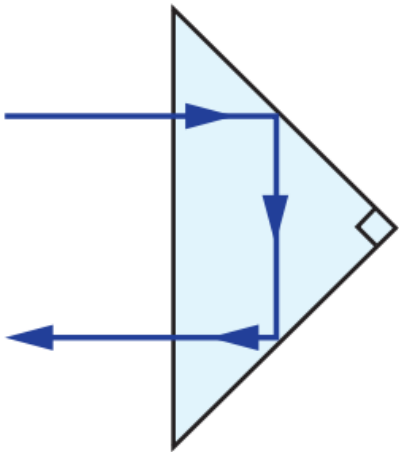
- λ/20 Surface Flatness
- <0.25% Reflection for Nd:YAG Applications
- 5 - 25mm Sizes Available

TECHSPEC® Nd:YAG Laser Line λ/20 Fused Silica Right Angle Prisms offer a combination of precision surface flatness and guaranteed laser damage threshold AR coatings. These prisms are ideal for beam steering with minimal wavefront distortion due to λ/20 surface flatness on all faces. A ±15 arcsecond angular tolerance ensures consistent alignment for volume integration. TECHSPEC® Nd:YAG Laser Line λ/20 Fused Silica Right Angle Prisms are designed for transmission through the anti-reflection coated legs of the prism, resulting in a 90° turn in beam direction. A vertically integrated manufacturing process ensures these prisms are easily scaled for custom requests.

Technical Information



Right Angle Prism Ray Path



Right Angle Prism Ray Path



Right Angle Prism Tunnel Diagram



Right Angle Prism Tunnel Diagram

