

TECHSPEC® 10mm Diameter, S-Mount Thick Optic Mount



Stock #63-951 **2 In Stock**

- 1 + MRP ₹4,112

● Price inclusive of all taxes

ADD TO CART

Volume Pricing	
Qty 1-4	₹4,112 each
Qty 5-9	₹3,692 each
Qty 10-25	₹3,430 each
Need More?	Request Quote

Product Downloads

General

Fixed **Type:**

Optic Mount (Fixed) **Function:**

Type of Optics:

Circular

Physical & Mechanical Properties

12.7 **Extension Length (mm):**

15.7 **Total Length (mm):**

2.0 **Min. Thickness of Compatible Optics (mm):**

6.5 **Max. Thickness of Compatible Optics (mm):**

9.0 **Clear Aperture CA (mm):**

16.00 **Outer Diameter (mm):**

Threading & Mounting

S-Mount **Thread Type:**

10.0 **Diameter of Compatible Optics (mm):**

Regulatory Compliance

[Compliant](#) **RoHS 2015:**

[View](#) **Certificate of Conformance:**

[Compliant](#) **REACH 241:**

China **Country of Origin:**

Imported By:
Edmund Optics India Private Limited
267, Greystone Building, Second Floor,
6th Cross Rd, Binnamangala,
Stage 1, Indiranagar, Bengaluru,
Karnataka, India 560038
Phone: +91- 80-6845 0000

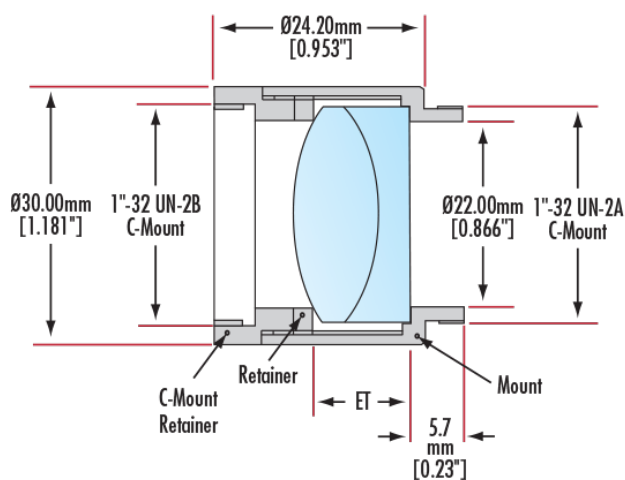
Product Details

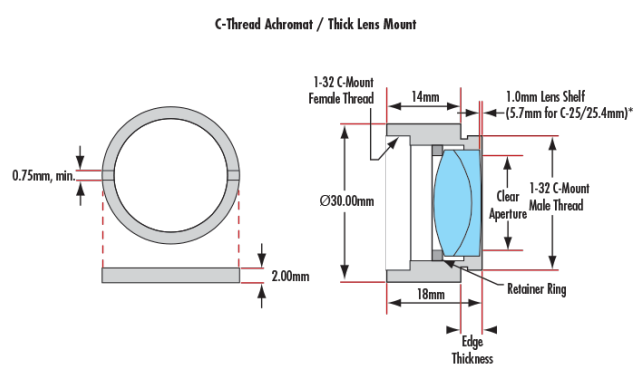
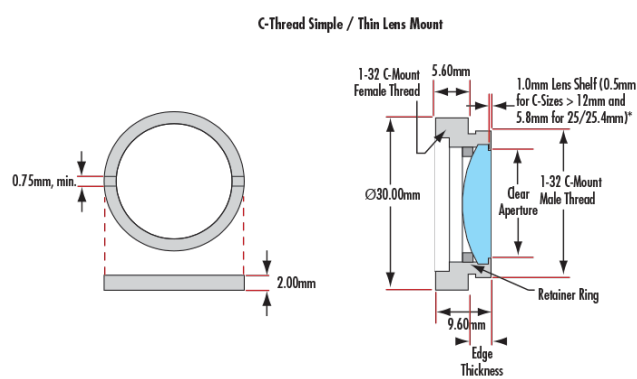
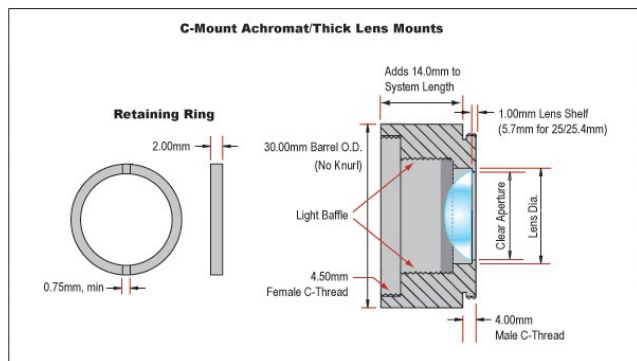
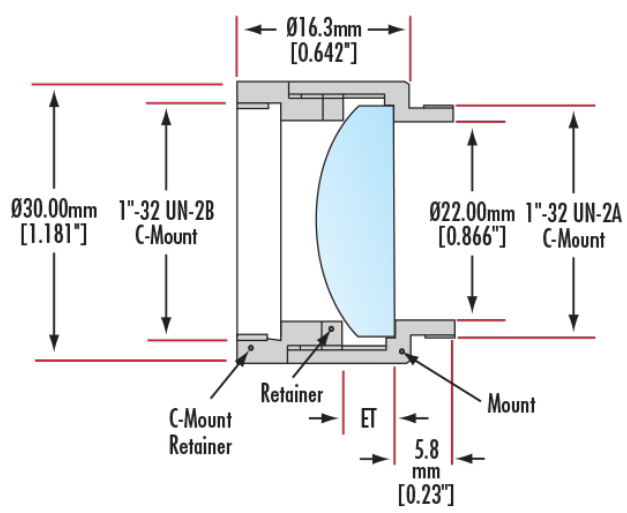
- Mounts for Simple Lenses, Achromats, Filters, or Reticles
- Designed to Integrate with Any C, S, or T-Mount Components
- Optic is Held in Place with Included Retaining Ring

TECHSPEC® C, S, and T-Mount Circular Optic Mounts are designed to mount a variety of circular optical components into C, S, or T-Mount compatible systems. An included threaded retainer ring, designed to accept a standard spanner wrench, securely holds the optical component. These circular optic mounts are compatible with a wide variety of Edmund Optics optomechanical components utilizing C, S, or T-Mount threads, such as [extension tubes](#) and [kinematic mounts](#). TECHSPEC® C, S, and T-Mount Circular Optic Mounts are threaded for 1" x 32 TPI, M12 x 0.5, or M42 x 0.75 mounting, with 30mm, 16mm, and 48mm outer diameters, respectively. These mounts are ideal for creating and personalization of a diverse range of optical systems.

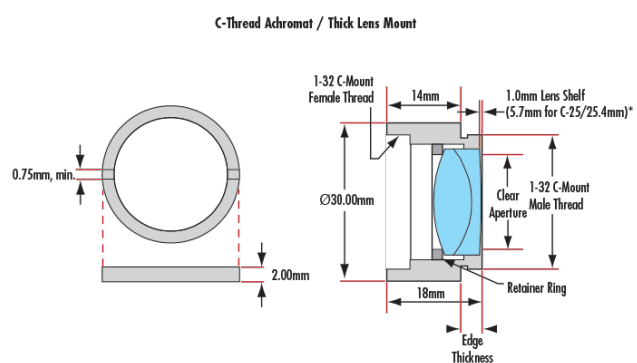
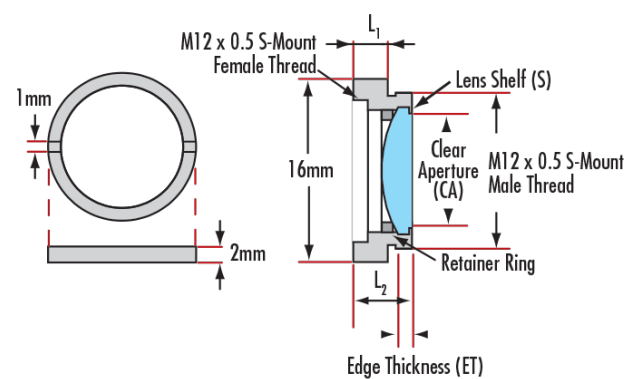
Note: [#56-353](#), [#56-354](#), [#52-933](#), and [#52-292](#) are all 3-part assemblies

Technical Information

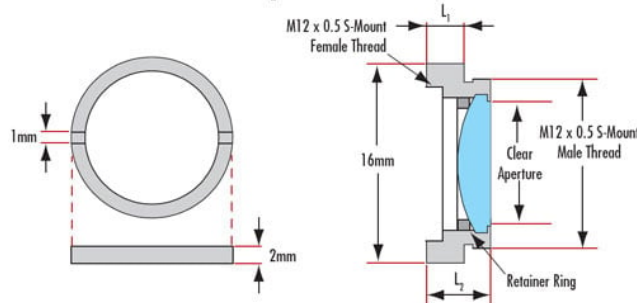




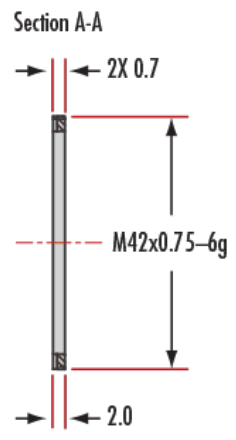
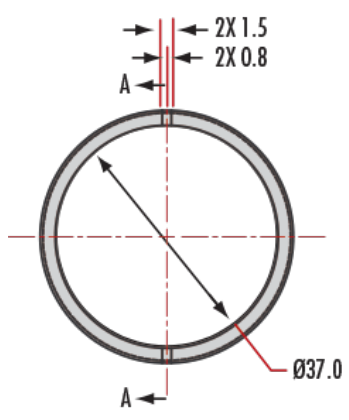
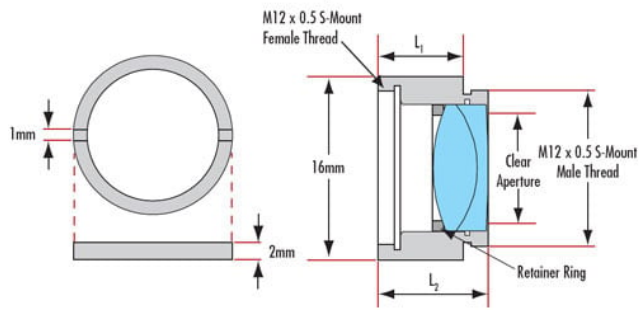
S-Thread Simple / Thin Lens Mount



S-Thread Simple /Thin Lens Mount



S-Thread Achromat / Thick Lens Mount



#58-741