

[See all 53 Products in Family](#)

10.1mm FL, IR-Cut Filter at 650nm, f/2.8, Micro Video Lens



Stock #59-779 **20+ In Stock**

MRP ₹7,434

i Price inclusive of all taxes

ADD TO CART

Volume Pricing	
Qty 1-49	₹7,434 each
Qty 50+	₹5,986 each
Need More?	Request Quote

Product Downloads

General

Product Family:
Long Working Distance Optimized Imaging Lenses

Note:
IR Cut-Off Filter Included

Type:
M12 Imaging Lens

IR Cut Filter:
Yes

IR-Cut Filter

Special Type of Lens:

Physical & Mechanical Properties

Fixed
13.40

Iris Option:
Length (mm):

15.0
15

Maximum Diameter (mm):
Outer Diameter (mm):

Optical Properties

36
8.00

Horizontal Field of View @ Max Sensor Format:
Maximum Image Circle (mm):

81 lp/mm @ 20% Contrast
54 lp/mm @ 20% Contrast

Resolution, On-Axis:
Resolution, 0.7 Field:

64 lp/mm @ 20% Contrast
10.10

Resolution, Full Field:
Focal Length FL (mm):

400 - ∞
f/2.8

Working Distance (mm):
Aperture (f/#):

-0.57 @ Full Field
-0.57

Distortion (%):
Maximum Distortion (%):

VIS (IR-Cut Filter)

Lens Wavelength Range:

Sensor

1/2"
3.45

Maximum Sensor Format:
Pixel Size (µm):

Threading & Mounting

M12 x 0.50
S-Mount (M12 x 0.5)

Filter Thread:
Mount:

Regulatory Compliance

Exempt
View

RoHS 2015:
Certificate of Conformance:

Contains SVHC(s)

REACH 241:

South Korea

Country of Origin:

Edmund Optics India Private Limited
267, Greystone Building, Second Floor,
6th Cross Rd, Binnamangala,
Stage 1, Indiranagar, Bengaluru,
Karnataka, India 560038
Phone: +91- 80-6845 0000

Imported By:

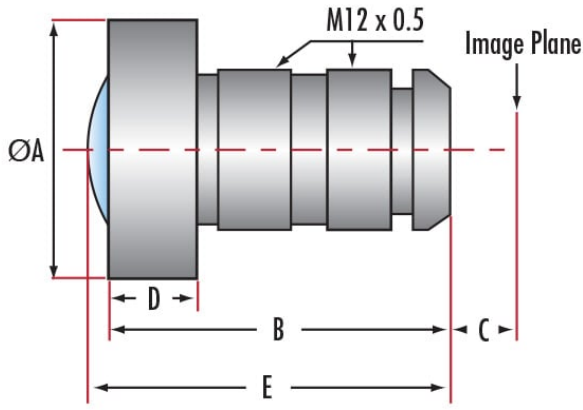
Product Details

- Up to 2/3", S-Mount Lens
- Wide Field of View Board Camera Lens
- 1.68mm to 50mm Focal Length

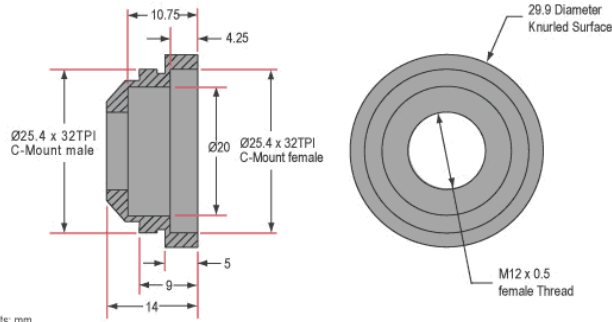
Long Working Distance Optimized Imaging Lenses are designed for use in micro sensor board cameras. These lenses provide excellent image quality in a small, versatile package. Optimized to cover 2/3" sensor formats, they are an ideal choice for wide angle and close focus applications. Long Working Distance Optimized Imaging Lenses have 1.68 to 50mm focal lengths. All lenses are threaded for M12 x 0.5. Some models with Back Focal Distances (dimension "C") less than 4mm may be incompatible with some color cameras due to the camera's Bayer filter. We recommend such lenses for use with monochrome cameras only. Lenses are designed for the 400nm to 700nm range.

Note: A line of [M12 Imaging Lens Accessories](#) is available for these products.

Technical Information



Infinite Conjugate M12 Imaging Lenses



C-Mount Adapter (#53-675)

Stock #	No-IR Cut Filter	IR Cut Filter @650nm	Focal Length (mm)	Aperture (f/#)	A (mm)	B (mm)	C (mm)	D (mm)	E (mm)
#59-776	#66-880		1.68	2.5	15.0	13.2	3.3	2.8	15.1
#56-774	#66-881**		1.74	2.8	21.0	19.61	3.33	3.2	N/A
#64-106	-		1.9	2.0	17.0	14.58	4.2	4.0	15.24
#55-569	#66-883		2.1	2.0	17.0	18.3	4.8	3.7	19.4
#57-681	#66-884***		2.5	2.5	17.0	19.1	4.4	3.7	20.3
#55-570	#66-885		2.9	2.0	15.0	17.4	5.2	5.8	17.8
#59-778	#66-886		3.0	2.0	14.0	15.3	5.3	3.9	N/A
#57-684	#66-890		6.05	1.8	15.0	15.6	8.0	6.0	N/A
#55-573	#66-891		6.37	2.4	14.8	13.12	5.3	3.3	N/A
#55-574	#66-892		8.0	2.5	15.0	13.5	5.8	3.0	N/A
#63-762	#59-779		10.1	2.8	15.0	13.4	6.1	3.2	N/A
#65-251	#64-107		10.4	2.8	14.0	8.93	6.4	4.0	N/A
#56-775	#66-893		12.0	2.0	14.0	12.1	6.2	4.0	N/A
#64-108	#66-894		16.0	2.0	14.0	14.4	8.0	4.5	N/A
#83-107	-		16.0	4.0	14.0	14.4	8.0	4.5	N/A
#56-776	#66-895		25.0	2.5	25.0	23.2	8.1	6.7	N/A
#59-780	#66-896		35.0	2.0	25.0	23.4	15.8*	6.0	N/A
#59-781	#66-897		50.0	2.5	27.0	52.8	4.1	8.0	N/A

*Note: 35.0mm lens has a large flange focal length. Please make proper adjustments when mounting.
 **#66-881, B(mm): 20.49
 ***#66-884, B(mm): 19.8, E(mm): 21

Stock #	Focal Length (mm)	Aperture (f/#)	A (mm)	B (mm)	C (mm)	D (mm)	E (mm)
#88-587	3.0	2.0	15.0	15.35	5.2	4	16
#88-588	3.5	2.5	15.0	15.4	6.9	4	N/A
#11-323	3.7	1.6	19	24.04	5.46	6.5	24.16
#11-324	4.0	1.8	20	23.8	5.01	7	24.72
#88-589	4.0	2.0	15.0	16.1	5.9	3.8	N/A
#88-590	4.3	2.0	22.0	20.96	5.5	6	21.93
#11-325	4.6	1.6	19	24.18	5.44	7	24.32
#88-591	4.6	2.0	12.0	13.1	1.9	6	N/A
#88-592	5.6	2.0	17.0	22.21	5.3	5	22.38
#89-750	6.0	2.0	14.0	15.1	6.7	3.93	N/A
#11-326	7.0	1.6	19	25.24	5.47	7.2	24.2

#89-751	8.0	2.0	15.0	14.4	6.8	4.5	N/A
#89-752	12.0	2.0	15.0	14.3	5.7	4.5	N/A
