

[See all 12 Products in Family](#)

100X T1.1 Mitutoyo LCD Plan Apo NUV Infinity Corrected Objective

See More by [Mitutoyo](#)



Stock #75-048 **1 In Stock**

MRP ₹13,67,856

Price inclusive of all taxes

ADD TO CART

Volume Pricing	
Qty 1+	₹13,67,856 each
Need More?	Request Quote

Product Downloads

General

378-751-4 **Model Number:**

Compatible Tube Lens Focal Length (mm):
Focal Length: 200mm

Microscope Objective **Type:**

Style:

Manufacturer:
Mitutoyo

Note:
1.1mm thick LCD cover-glass Example Application:
High magnification inspection through liquid crystal
glass (LCD) or cutting and trimming of
semiconductor wafer and circuits

Physical & Mechanical Properties

Length excluding Threads (mm):
83.97

Maximum Diameter (mm):
34

Weight (g):
380.00

Optical Properties

Compatible Cover Glass Thickness (mm):
1.1

Design Wavelength DWL (nm):
355, 532

Horizontal Field of View, 1/2" Sensor:
0.06mm

Horizontal Field of View, 2/3" Sensor:
Not Listed

Focal Length FL (mm):
2.00

Magnification:
100X

Numerical Aperture NA:
0.50

Resolving Power (μm):
0.6

Depth of Field (μm):
1.10

Field of View, 24 Diameter Field Eyepiece (mm):
0.24

Working Distance (mm):
11.03

Wavelength Range (nm):
355 - 620

Parfocal Length (mm):
95.37

Immersion Liquid:
N/A

Sensor

Maximum Sensor Format:
1/2"

Threading & Mounting

Mounting Threads:
M26 x 36 TPI

Environmental & Durability Factors

Operating Temperature ($^{\circ}\text{C}$):
-5 to +45

Operating Humidity:
20 - 80%

Performance Assurance Temperature ($^{\circ}\text{C}$):
23 \pm 2

Regulatory Compliance

Certificate of Conformance:
[View](#)

Country of Origin:
Japan

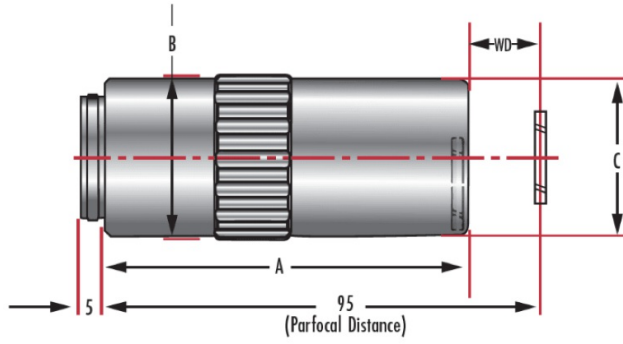
Imported By:
Edmund Optics India Private Limited
267, Greystone Building, Second Floor,
6th Cross Rd, Binnamangala,
Stage 1, Indiranagar, Bengaluru,
Karnataka, India 560038
Phone: +91- 80-6845 0000

Product Details

- Ideal for Brightfield Imaging and Laser-Based Applications through LCD Glass
- Excellent Performance at Nd:YAG Laser Lines
- Compensate for Cover-Glass Thickness of 0.7mm or 1.1mm

Mitutoyo NIR, NUV, and UV LCD Infinity Corrected Objectives combine the benefits of the standard MPlan Apo and MPlan Apo SL series objectives with enhanced spectral ranges. The NIR objectives are corrected from 480 to 1800nm, making them ideal for semiconductor and telecommunication inspection, or for laser cutting with common Nd:YAG lasers. The HR series offers an increased numerical aperture, providing smaller spot sizes and higher resolution. Mitutoyo NIR, NUV, and UV LCD Infinity Corrected Objectives compensate for common LCD glass thicknesses. The NUV and UV series of objectives have excellent performance at the second, third, and fourth Nd:YAG harmonics of 532nm, 355nm, and 266nm respectively.

Technical Information



Units: mm

Dimensions				
M Plan NIR	A (mm)	B (mm)	C (mm)	W.D. (mm)
20X, T0.7	75.00	34	32.2	20.0
20X, T1.1	75.02	34	32.2	19.98
50X, T0.7	78.04	34	32.2	17.26
50X, T0.7 HR	77.74	34	32.2	9.60
50X, T1.1	77.87	34	32.2	17.13
100X	82.94	34	32.2	12.06
HR 100X	85.13	39	37	9.87
M Plan NUV	A (mm)	B (mm)	C (mm)	W.D. (mm)
20X, T0.7	78	34	32.2	16.96
50X, T0.7	80	34	32.2	14.76
100X, T1.1	83.97	34	32.2	11.03
M Plan UV	A (mm)	B (mm)	C (mm)	W.D. (mm)
20X, T0.7	80	34	32.2	14.98
50X, T0.7	83	34	32.2	12.38