

100X Oil Immersion Objective, Nikon CFI Plan Fluor

See More by [Nikon](#)



Stock #75-344 **NEW** 1 In Stock

⊖ 1 ⊕ ₹2,32,464

ADD TO CART

Volume Pricing	
Qty 1+	₹2,32,464 each
Need More?	Request Quote

Product Downloads

SPECIFICATIONS

General

Model Number:

MRH01902

Compatible Tube Lens Focal Length (mm):

Focal Length: 200mm

Type:

Microscope Objective

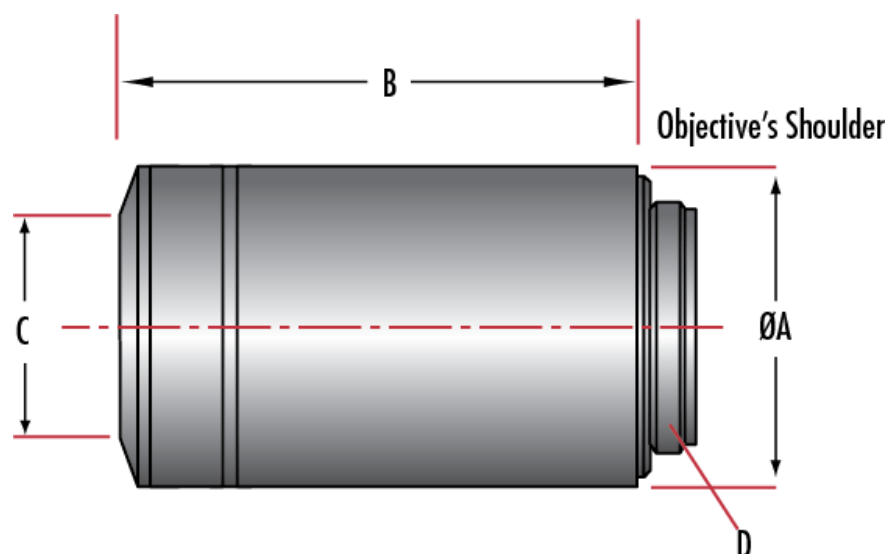
Infinity Corrected	Style:
Nikon	Manufacturer:
Physical & Mechanical Properties	
0.15	Field of View (mm):
59.71	Length excluding Threads (mm):
30	Maximum Diameter (mm):
185	Weight (g):
Optical Properties	
0.17	Compatible Cover Glass Thickness (mm):
0.064	Horizontal Field of View, 1/2" Sensor:
0.088	Horizontal Field of View, 2/3" Sensor:
100X	Magnification:
1.3	Numerical Aperture NA:
0.16	Working Distance (mm):
25	Field Number (mm):
60.06	Parfocal Length (mm):
Oil	Immersion Liquid:
Sensor	
2/3"	Maximum Sensor Format:
Threading & Mounting	
M25 x 0.75	Mounting Threads:
Regulatory Compliance	
View	Certificate of Conformance:

PRODUCT DETAILS

- Provide High Contrast Fluorescence Observation
- Ideal for Multiple Microscopy Techniques
- High Transmission from UV to the IR

Nikon CFI Plan Fluor Objectives feature high transmission from the ultraviolet to the infrared, along with exceptional flatness across the entire field of view. These objectives are ideal multipurpose objectives for a variety of microscopy techniques, including brightfield, fluorescence, polarizing, or DIC microscopy. These microscope objectives are suitable for high contrast fluorescence observation or for applications including photomicrography. Nikon CFI Plan Fluor Objectives have M25 x 0.75 mounting threads. The objectives are available in magnifications from 4X up to 60X.

TECHNICAL INFORMATION



Dimensions (mm)								
Stock No.	Nikon Model Number	Immersion Liquid	Magnification	Parafocal Length	A	B	C	D
#88-378	MRH00041	N/A	4X	60.06	30.0	42.7	16.5	M25 x0.75
#88-379	MRH00101	N/A	10X	60.06	30.0	42.4	18.0	M25 x0.75
#38-004	MRP07220	Water	16X	75.0	35.0	72.0	6.0	M32 x0.75
#88-380	MRH00201	N/A	20X	60.06	28.0	57.8	8.5	M25 x0.75
#88-381	MRH00405	N/A	40X	60.06	30.0	59.2	10.0	M25 x0.75
#88-382	MRH00602	N/A	60X	60.06	31.5	59.2	5.0	M25 x0.75