

[See all 15 Products in Family](#)

100X Mitutoyo Plan Apo Infinity Corrected Long WD Objective

See More by [Mitutoyo](#)



100X Mitutoyo Plan Apo Infinity Corrected Long WD Objective, #46-147

Stock **#46-147** **1 In Stock**

⊖ 1 ⊕ **MRP ₹4,81,086**

Price inclusive of all taxes

ADD TO CART

Volume Pricing	
Qty 1+	₹4,81,086 each
Need More?	Request Quote

Product Downloads

General

Model Number:
378-806-3

Compatible Tube Lens Focal Length (mm):
Focal Length: 200mm

Type:
Microscope Objective

Style:
Infinity Corrected

Mitutoyo **Manufacturer:**

Physical & Mechanical Properties

89.00 **Length excluding Threads (mm):**

30 **Maximum Diameter (mm):**

320.00 **Weight (g):**

2.80 **Exit Pupil Diameter (mm):**

Optical Properties

N/A **Compatible Cover Glass Thickness (mm):**

0.06mm **Horizontal Field of View, 1/2" Sensor:**

0.09mm **Horizontal Field of View, 2/3" Sensor:**

2.00 **Focal Length FL (mm):**

100X **Magnification:**

0.70 **Numerical Aperture NA:**

0.4 **Resolving Power (μm):**

0.60 **Depth of Field (μm):**

0.24 **Field of View, 24 Diameter Field Eyepiece (mm):**

0.18 **Field of View, 18 Diameter Field Eyepiece (mm):**

6.0 **Working Distance (mm):**

435 - 655 **Wavelength Range (nm):**

95 **Parfocal Length (mm):**

N/A **Immersion Liquid:**

Sensor

2/3" **Maximum Sensor Format:**

Threading & Mounting

M26 x36 TPI **Mounting Threads:**

Environmental & Durability Factors

+5 to +40 **Operating Temperature ($^{\circ}\text{C}$):**

20 - 80% **Operating Humidity:**

Regulatory Compliance

[Exempt](#) **RoHS 2015:**

[View](#) **Certificate of Conformance:**

[Contains SVHC\(s\)](#) **REACH 241:**

Japan **Country of Origin:**

Imported By:
Edmund Optics India Private Limited
267, Greystone Building, Second Floor,
6th Cross Rd, Binnamangala,
Stage 1, Indiranagar, Bengaluru,
Karnataka, India 560038
Phone: +91- 80-6845 0000

Product Details

- Long Working Distances
- Bright Field Inspection
- High Quality Plan Apochromat Design
- Flat Image Surface over Entire Field of View

Mitutoyo Infinity Corrected Long Working Distance Objectives are world-renowned for setting the standard of excellence for long working distance microscope optics. They have achieved the best combination of working distance and optical performance by using a new approach—avoiding outdated conventions used by competitors. Making the objectives larger and longer has made the designs easier (95mm parfocalization length). The lenses are all Plano Apochromats to maintain as high an N.A and contrast as possible. An apochromatic objective lens is chromatic aberration corrected for red, blue, and yellow, while a standard achromatic objective lens is only corrected for red and blue. Plano Apochromats are typically very expensive, but high-volume production has made it possible to keep the cost down comparative to standard Achromat long working distance objectives. Mitutoyo Infinity Corrected Long Working Distance Objectives are optimized for bright field illumination (incident illumination parallel to the optical axis) and are ideal for in-line illumination applications. A secondary (or tube) lens is required for an infinity correction system. All stated magnifications are based on a tube lens focal length of 200mm. Mounting thread: M26 x 0.706 pitch (36 TPI).

M Plan Apo SL Series

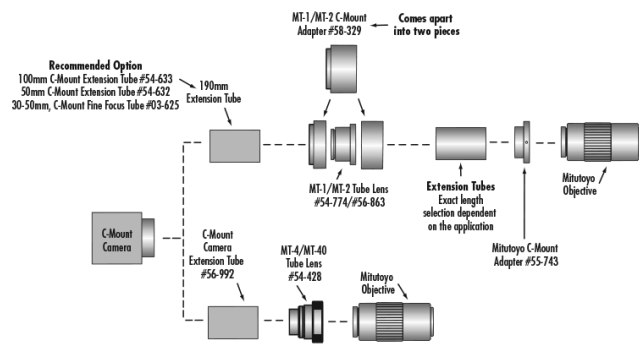
- Super-Long Working Distance for Bright Field Inspection
- 13mm Working Distance for 100X and 200X Models
- High Quality Apochromat Design
- Flat Image Surface over Entire Field of View
- Good Color Reproducibility

Accessory Tube Lenses

[Accessory Tube Lenses](#) and [C-Mount Thread Adapters](#) can be used to adapt the Mitutoyo objectives to additional configurations.

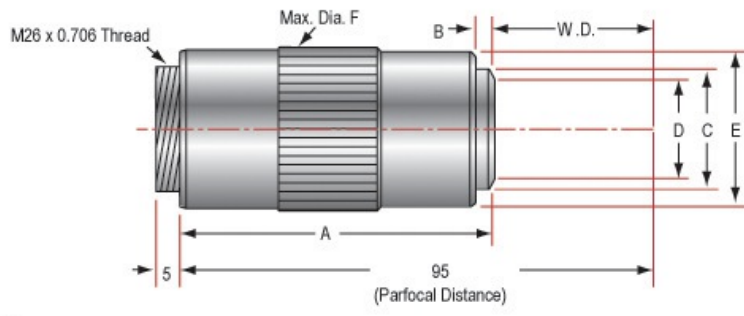
Edmund Optics is the main source for Mitutoyo Objectives. Place your orders now for these in demand quality products.

Technical Information



Stock No.	M Plan Apo	A	B	C	D	E	F	W.D.
#58-235	1X	84.0	-	38.0	-	41.0	34.0	11.0
#46-142	2X	61.0	1.4	27.5	24.7	32.2	34.0	34.0
#46-143	5X	61.0	1.6	25.0	23.0	32.2	34.0	34.0
#66-383	7.5X	60.0	-	25.0	24.0	32.2	34.0	35.0
#46-144	10X	61.0	2.0	28.2	-	32.2	34.0	34.0
#46-145	20X	75.0	1.5	29.2	-	32.2	34.0	20.0
#46-146	50X	82.0	1.5	29.2	-	32.2	34.0	13.0
#46-147	100X	89.0	4.7	29.2	17.8	32.2	34.0	6.0
Stock No.	M Plan Apo HR	A	B	C	D	E	F	W.D.
#34-247	5X HR	69.5	3.7	24.8	-	32.2	34.0	25.5
#58-236	10X HR	80.0	7.5	29.0	26.0	37.0	39.0	15.0
#58-237	50X HR	89.8	2.0	28.2	-	32.2	34.0	5.2
#58-238	100X HR	93.7	2.0	28.2	-	32.2	34.0	1.3
Stock No.	M Plan APO SL	A	B	C	D	E	F	W.D.
#46-398	20X SL	64.5	1.5	24.8	24.0	32.2	34.0	30.5
#46-399	50X SL	74.5	3.9	25.2	23.5	32.2	34.0	20.5
#46-401	100X SL	82.0	1.4	23.9	22.0	32.2	34.0	13.0

Mitutoyo Long Working Distance Objectives



Units: mm