

100X DIN Plan Commercial Grade Objective



Stock #43-909 [CONTACT US](#)

- 1 + MRP ₹43,542

i Price inclusive of all taxes

ADD TO CART

Volume Pricing

Qty 1+	₹43,542 each
Need More?	Request Quote

Product Downloads

General

Plan, Spring-Loaded **Type:**

Finite Conjugate **Style:**

Recommended Immersion Oil [#86-834](#) **Note:**

Physical & Mechanical Properties

46.00 **Length excluding Threads (mm):**

24 Maximum Diameter (mm):

Optical Properties

2.74 Effective Focal Length EFL (mm):

100X Magnification:

1.25 Numerical Aperture NA:

0.1 Working Distance (mm):

46.1 Parfocal Length (mm):

Oil Immersion Liquid:

Threading & Mounting

0.7965-36 TPI, 55° Whitworth Mounting Threads:

Environmental & Durability Factors

5 to 40 Operating Temperature (°C):

-20 to 60 Storage Temperature (°C):

45% to 85% Operating Relative Humidity:

Regulatory Compliance

[Compliant](#) RoHS 2015:

[View](#) Certificate of Conformance:

China Country of Origin:

Imported By:
Edmund Optics India Private Limited
267, Greystone Building, Second Floor,
6th Cross Rd, Binnamangala,
Stage 1, Indiranagar, Bengaluru,
Karnataka, India 560038
Phone: +91- 80-6845 0000

Product Details

- Achromatic and Plan Designs
- Use with T- and C-Mounting Systems
- Ideal for OEM Applications

Commercial Grade Standard Microscope Objectives are designed for a wide variety of applications. These objectives are provided in both achromatic and plan designs. Using DIN standard, 0.7965" (20.1mm) dia. threads, 36 TPI, 55° Whitworth, these objectives will fit into most microscope and spatial filter assemblies. Commercial Grade Standard Microscope Objectives, used in conjunction with our [T- and C-mounting systems](#), are an ideal solution for OEM production use. These objectives are offered in 4X, 10X, 40X, and 100X magnifications.

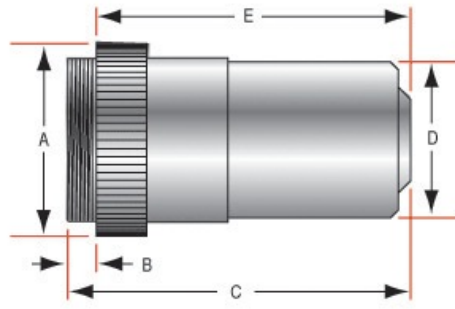
Note: 40X and 100X versions are spring loaded. 100X version is also oil immersion type.

Technical Information

Stock No.	A	B	C	D	E
#43-902	24	3.7	31	19	26
#43-903	24	3.7	43	19	40
#43-904	24	3.7	48.8	20	45.8
#43-905	24	3.7	48.8	20	45.8

#67-706	24	3.7	34	22	30
#43-907	24	3.7	47.6	22	44
#43-908	24	3.7	49	22	46
#43-909	24	3.7	48	22	46

Commercial Grade Standard Microscope Objectives



Units: mm

;