

[See all 76 Products in Family](#)

## TECHSPEC® 100mm, f/4 Ci Series Fixed Focal Length Lens



TECHSPEC® Ci Series Fixed Focal Length Lenses



Stock #15-509 **1 In Stock**

⊖ 1 ⊕ MRP ₹24,957

ⓘ Price inclusive of all taxes

**ADD TO CART**

Volume Pricing	
Qty 1-24	₹24,957 each
Qty 25+	₹22,570 each
Need More?	<a href="#">Request Quote</a>

Note: This item requires accessories for use | [Learn More](#)

### Product Downloads

### General

Ci Series **Product Family:**

Fixed Focal Length Lens **Type:**

## Physical & Mechanical Properties

Fixed	<b>Iris Option:</b>
81.80	<b>Length (mm):</b>
48	<b>Maximum Diameter (mm):</b>
48	<b>Outer Diameter (mm):</b>
1.64	<b>Maximum Rear Protrusion (mm):</b>

## Optical Properties

	<b>Field of View at Max Sensor Format:</b> Horizontal: 7.28° Vertical: 5.48° Diagonal: 9.07°
5.02°	<b>Horizontal Field of View, 2/3" Sensor:</b>
4.11°	<b>Horizontal Field of View, 1/1.8" Sensor:</b>
3.66°	<b>Horizontal Field of View, 1/2" Sensor:</b>
3.29°	<b>Horizontal Field of View, 1/2.5" Sensor:</b>
21.60	<b>Maximum Image Circle (mm):</b>
0.016	<b>Numerical Aperture NA, Object Side:</b>
6 (5)	<b>Number of Elements (Groups):</b>
100.00	<b>Focal Length FL (mm):</b>
750 - ∞	<b>Working Distance (mm):</b>
f/4	<b>Aperture (f/#):</b>
425 - 675nm BBAR	<b>Coating Specification:</b>
31.419	<b>Entrance Pupil Position (mm):</b>
21.64	<b>Object Space Principal Plane (mm):</b>
-98.34	<b>Image Space Principal Plane (mm):</b>
0.866	<b>Maximum Distortion (%):</b>
-50.496	<b>Exit Pupil Position (mm):</b>
VIS	<b>Lens Wavelength Range:</b>

## Sensor

1"	<b>Maximum Sensor Format:</b>
2.74	<b>Pixel Size (μm):</b>

## Threading & Mounting

M46 x 0.75 (Female)	<b>Filter Thread:</b>
C-Mount	<b>Mount:</b>

## Environmental & Durability Factors

Industrial (Fixed Aperture with Simplified Mechanics)	<b>Type of Ruggedization:</b>
---	-------------------------------

## Regulatory Compliance

<a href="#">View</a>	<b>Certificate of Conformance:</b>
China	<b>Country of Origin:</b>
	<b>Imported By:</b>

## Product Details

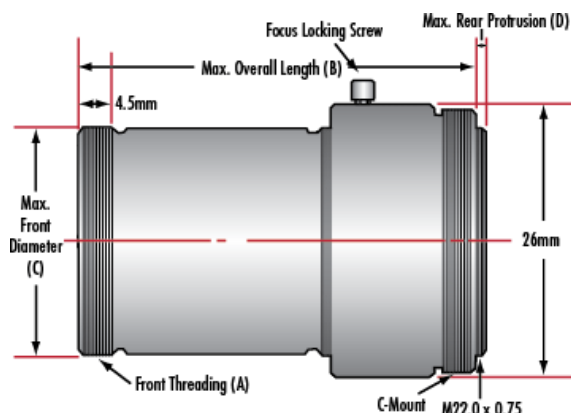
- Up to 2/3", C-Mount Lens
- Up to 7.5 MegaPixels, 2.8µm Pixel Size Sensors
- Instrumentation (Ci) Versions of our C Series Lenses with Streamlined Mechanical Designs and Fixed Apertures
- 3.5mm to 50mm Focal Length
- **Ruggedized (Cr) Designs** Also Available

TECHSPEC® Ci Series Fixed Focal Length Lenses are a streamlined version of our C Series Fixed Focal Length Lenses. They feature the same low lens-to-lens variation and broadband anti-reflection (BBAR) coating for maximum light transmission, while offering reduced weight and size. An adjustable, lockable focus allows for setting and locking the best focus position for instrumentation integration. TECHSPEC® Ci Series Fixed Focal Length Lenses are designed specifically for volume integration into applications such as factory inspection and automation to benchtop biomedical devices. The Ci Series offers a wide range of aperture options, ensuring maximum flexibility of resolution, throughput, and depth of field.

Edmund Optics has created a family of high performance optical designs (the C Series family) and developed 6 customized optomechanical solutions targeted for specific applications. These lens sub-families utilize the same optics as the C Series lenses providing the same optical performance in a variety of optomechanical solutions to meet your application requirements:

- **C Series:** Features locking cam focus and iris adjustment and is the most adjustable version of these optical designs; they are the typical high quality machine vision lenses. Also available with a **VIS-NIR Broadband Anti-Reflection (BBAR) Coating**.
- **Ci Series:** Simplified mechanics featuring fixed apertures with compact housing. **Industrial Ruggedization** for reduced size, cost, and locked focus.
- **Cr Series:** All optics glued in place and a locking C-clamp focus ring. **Stabilized Ruggedization** for reduced pixel shift and improved focus stability.
- **Cx Series:** Modular, flexible mechanics allows lenses to be taken apart for easy integration of accessories such as liquid lenses, apertures, and more.
- **Liquid Lens Cx Series:** Designed with an integrated liquid lens for quick autofocus.
- **Cw Series:** Waterproof, designed to meet IEC **Ingress Protection** Code IPX7 and IPX9K.

## Technical Information



Focal Length	A	B	C	D
6mm	M34.0 x 0.5	47.8mm	34mm	1.17mm
12mm	M22.0 x 0.75	29.0mm	22mm	0.96mm
16mm	M22.0 x 0.75	40.8mm	22mm	1.09mm
25mm	M22.0 x 0.75	29.9mm	22mm	1.33mm
35mm	M25.5 x 0.5	41mm	22.5mm	3.82mm
50mm	M30.5 x 0.5	49.5mm	30.5mm	2.06mm

