

[See all 76 Products in Family](#)

TECHSPEC® 100mm, f/11 Ci Series Fixed Focal Length Lens



TECHSPEC® Ci Series Fixed Focal Length Lenses



Stock #15-512 **17 In Stock**

⊖ 1 ⊕ MRP ₹24,957

ⓘ Price inclusive of all taxes

ADD TO CART

Volume Pricing	
Qty 1-24	₹24,957 each
Qty 25+	₹22,570 each
Need More?	Request Quote

Note: This item requires accessories for use | [Learn More](#)

Product Downloads

General

Ci Series **Product Family:**

Fixed Focal Length Lens **Type:**

Physical & Mechanical Properties

Fixed	Iris Option:
81.80	Length (mm):
48	Maximum Diameter (mm):
48	Outer Diameter (mm):
1.64	Maximum Rear Protrusion (mm):

Optical Properties

Field of View at Max Sensor Format: Horizontal: 7.28° Vertical: 5.48° Diagonal: 9.07°	
5.02°	Horizontal Field of View, 2/3" Sensor:
4.11°	Horizontal Field of View, 1/1.8" Sensor:
3.66°	Horizontal Field of View, 1/2" Sensor:
3.29°	Horizontal Field of View, 1/2.5" Sensor:
21.60	Maximum Image Circle (mm):
0.006	Numerical Aperture NA, Object Side:
6 (5)	Number of Elements (Groups):
100.00	Focal Length FL (mm):
750 - ∞	Working Distance (mm):
f/11	Aperture (f/#):
425 - 675nm BBAR	Coating Specification:
31.419	Entrance Pupil Position (mm):
21.64	Object Space Principal Plane (mm):
-98.34	Image Space Principal Plane (mm):
0.866	Maximum Distortion (%):
-50.496	Exit Pupil Position (mm):
VIS	Lens Wavelength Range:

Sensor

1"	Maximum Sensor Format:
2.74	Pixel Size (µm):

Threading & Mounting

M46 x 0.75 (Female)	Filter Thread:
C-Mount	Mount:

Environmental & Durability Factors

Industrial (Fixed Aperture with Simplified Mechanics)	Type of Ruggedization:
---	-------------------------------

Regulatory Compliance

View	Certificate of Conformance:
China	Country of Origin:
	Imported By:

Product Details

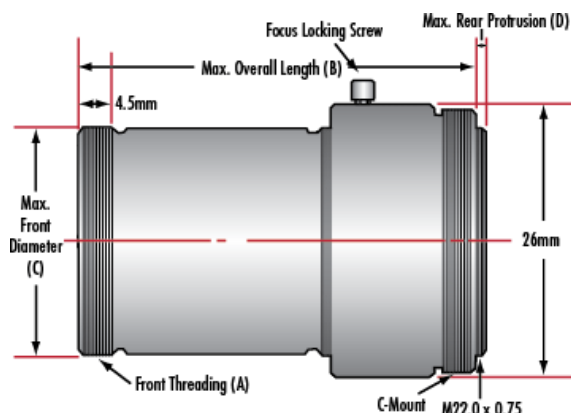
- Up to 2/3", C-Mount Lens
- Up to 7.5 MegaPixels, 2.8µm Pixel Size Sensors
- Instrumentation (Ci) Versions of our C Series Lenses with Streamlined Mechanical Designs and Fixed Apertures
- 3.5mm to 50mm Focal Length
- **Ruggedized (Cr) Designs** Also Available

TECHSPEC® Ci Series Fixed Focal Length Lenses are a streamlined version of our C Series Fixed Focal Length Lenses. They feature the same low lens-to-lens variation and broadband anti-reflection (BBAR) coating for maximum light transmission, while offering reduced weight and size. An adjustable, lockable focus allows for setting and locking the best focus position for instrumentation integration. TECHSPEC® Ci Series Fixed Focal Length Lenses are designed specifically for volume integration into applications such as factory inspection and automation to benchtop biomedical devices. The Ci Series offers a wide range of aperture options, ensuring maximum flexibility of resolution, throughput, and depth of field.

Edmund Optics has created a family of high performance optical designs (the C Series family) and developed 6 customized optomechanical solutions targeted for specific applications. These lens sub-families utilize the same optics as the C Series lenses providing the same optical performance in a variety of optomechanical solutions to meet your application requirements:

- **C Series:** Features locking cam focus and iris adjustment and is the most adjustable version of these optical designs; they are the typical high quality machine vision lenses. Also available with a **VIS-NIR Broadband Anti-Reflection (BBAR) Coating**.
- **Ci Series:** Simplified mechanics featuring fixed apertures with compact housing. **Industrial Ruggedization** for reduced size, cost, and locked focus.
- **Cr Series:** All optics glued in place and a locking C-clamp focus ring. **Stabilized Ruggedization** for reduced pixel shift and improved focus stability.
- **Cx Series:** Modular, flexible mechanics allows lenses to be taken apart for easy integration of accessories such as liquid lenses, apertures, and more.
- **Liquid Lens Cx Series:** Designed with an integrated liquid lens for quick autofocus.
- **Cw Series:** Waterproof, designed to meet IEC **Ingress Protection** Code IPX7 and IPX9K.

Technical Information



Focal Length	A	B	C	D
6mm	M34.0 x 0.5	47.8mm	34mm	1.17mm
12mm	M22.0 x 0.75	29.0mm	22mm	0.96mm
16mm	M22.0 x 0.75	40.8mm	22mm	1.09mm
25mm	M22.0 x 0.75	29.9mm	22mm	1.33mm
35mm	M25.5 x 0.5	41mm	22.5mm	3.82mm
50mm	M30.5 x 0.5	49.5mm	30.5mm	2.06mm

