

**TECHSPEC® 0.73X, 1/2" GoldTL™ Telecentric Lens**



#58-256 (0.73X)

Stock **#58-256** **14 In Stock**

MRP ₹1,95,256

● Price inclusive of all taxes

**ADD TO CART**

Volume Pricing	
Qty 1+	₹1,95,256 each
Need More?	<a href="#">Request Quote</a>

Product Downloads

**General**

GoldTL™ Series **Product Family:**

**Stock No. of Mounting Clamp:**  
#56-024 Sold Separately

Telecentric Lens **Type:**

Focusable Telecentric **Special Type of Lens:**

**Physical & Mechanical Properties**

Variable	<b>Iris Option:</b>
200.10	<b>Length (mm):</b>
200.10	<b>Length excluding Threads (mm):</b>
68.00	<b>Maximum Diameter (mm):</b>
1.1	<b>Weight (kg):</b>

## Optical Properties

9.9mm	<b>Horizontal Field of View, 1/1.8" Sensor:</b>
8.8mm	<b>Horizontal Field of View, 1/2" Sensor:</b>
9.00	<b>Maximum Image Circle (mm):</b>
0.061	<b>Numerical Aperture NA, Object Side:</b>
>65% @40 lp/mm	<b>Resolution, Image Space MTF @ f/10:</b>
10 (7)	<b>Number of Elements (Groups):</b>
<0.003	<b>Typical Telecentricity @ 588nm (°):</b>
0.100	<b>Typical Distortion @ 588nm (%):</b>
0.73X	<b>Primary Magnification PMAG:</b>
0.73	<b>Telecentric Lens Magnification:</b>
98 - 123	<b>Working Distance (mm):</b>
9.9 x 7.4	<b>FOV @ Max Sensor Format, H x V (mm):</b>
f/6 - f/19.5	<b>Aperture (f/#):</b>
M4 MgF <sub>2</sub>	<b>Coating:</b>
±0.95 at f/10 (20% @ 20 lp/mm)	<b>Depth of Field (mm):</b>
0.73X	<b>Magnification:</b>
VIS	<b>Lens Wavelength Range:</b>

## Sensor

1/1.8"	<b>Maximum Sensor Format:</b>
2.74	<b>Pixel Size (µm):</b>

## Threading & Mounting

M62 x 0.75 (Female)	<b>Filter Thread:</b>
C-Mount	<b>Mount:</b>

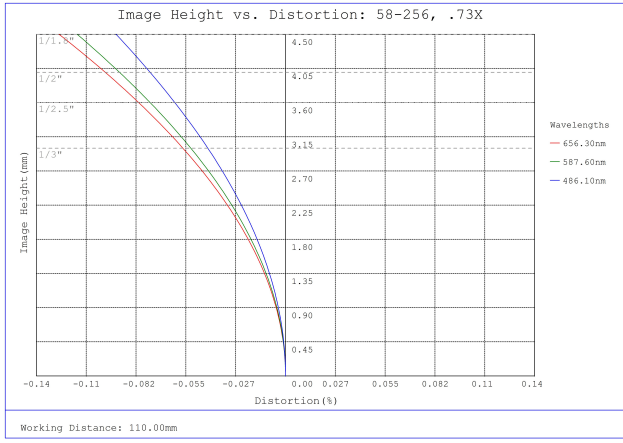
## Regulatory Compliance

<a href="#">View</a>	<b>Certificate of Conformance:</b>
China	<b>Country of Origin:</b>
Edmund Optics India Private Limited 267, Greystone Building, Second Floor, 6th Cross Rd, Binnamangala, Stage 1, Indiranagar, Bengaluru, Karnataka, India 560038 Phone: +91- 80-6845 0000	<b>Imported By:</b>

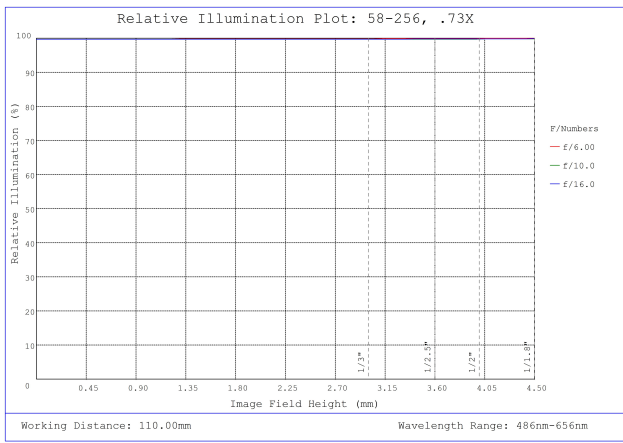
- High Resolution Telecentric Lens for Measurement and Gauging
- Up to 5 MegaPixels, 3.45µm Pixel Size Sensors
- Up to 2/3", C-Mount Telecentric Lens
- Magnification from 0.06X to 1X

TECHSPEC® GoldTL™ Telecentric Lenses were designed specifically for machine vision and metrology applications. The unique focusable design allows for working distance adjustment, while still providing <math><0.2^\circ</math> telecentricity. These lenses also feature high resolutions, low distortions, and are available for 1/2" or 2/3" sensors. TECHSPEC® GoldTL™ Telecentric Lenses have a front filter thread for easy integration of color filters, polarizers or other mounted components. Both the iris and focusing adjustment positions can be fixed by set screws to remain secure in high vibration environments.

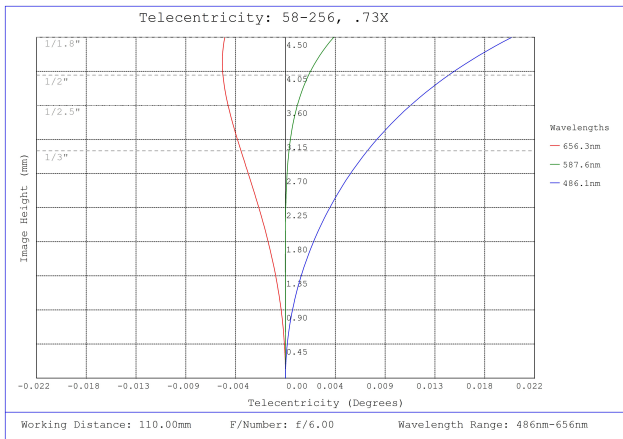
## Technical Information



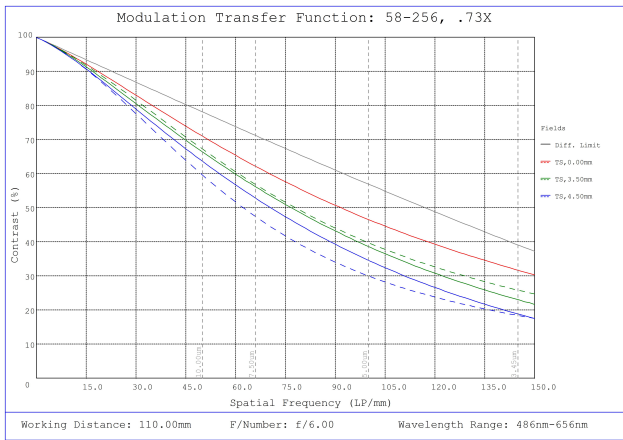
#58-256, 0.73X 1/2" GoldTL™ Telecentric Lens, Distortion Plot



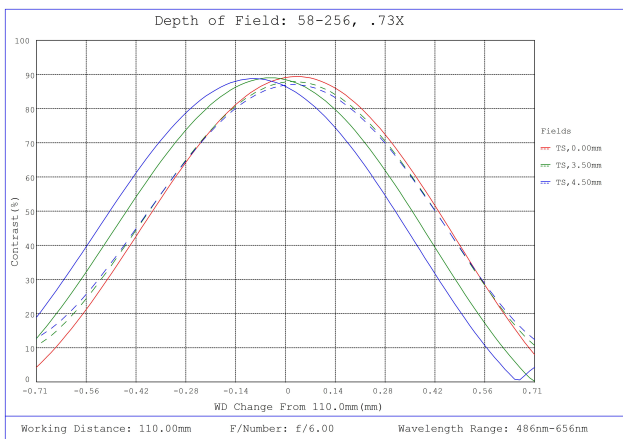
#58-256, 0.73X 1/2" GoldTL™ Telecentric Lens, Relative Illumination Plot



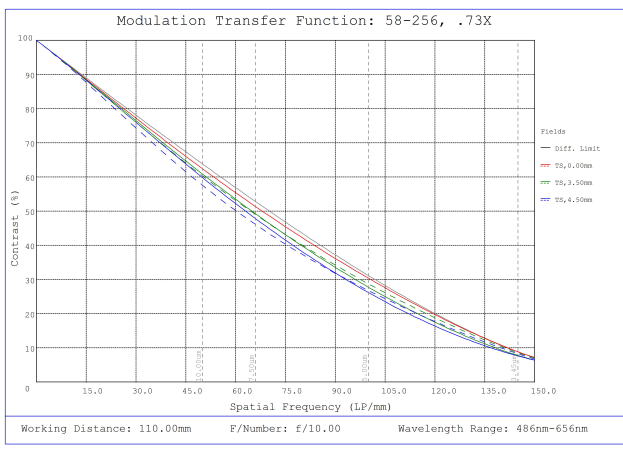
#58-256, 0.73X 1/2" GoldTL™ Telecentric Lens, Telecentricity Plot



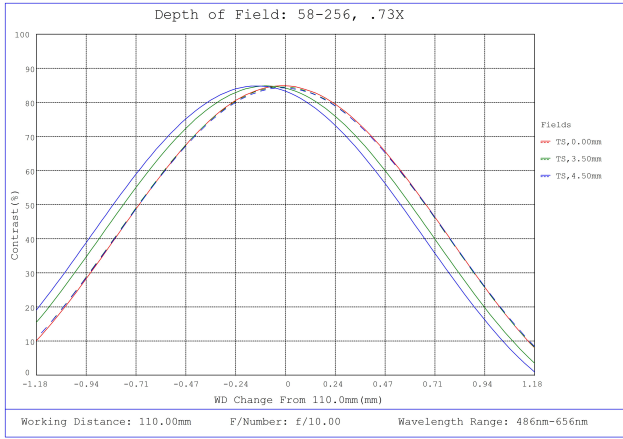
#58-256, 0.73X 1/2" GoldTL™ Telecentric Lens, Modulated Transfer Function (MTF) Plot, 110mm Working Distance, f6



#58-256, 0.73X 1/2" GoldTL™ Telecentric Lens, Depth of Field Plot, 110mm Working Distance, f6



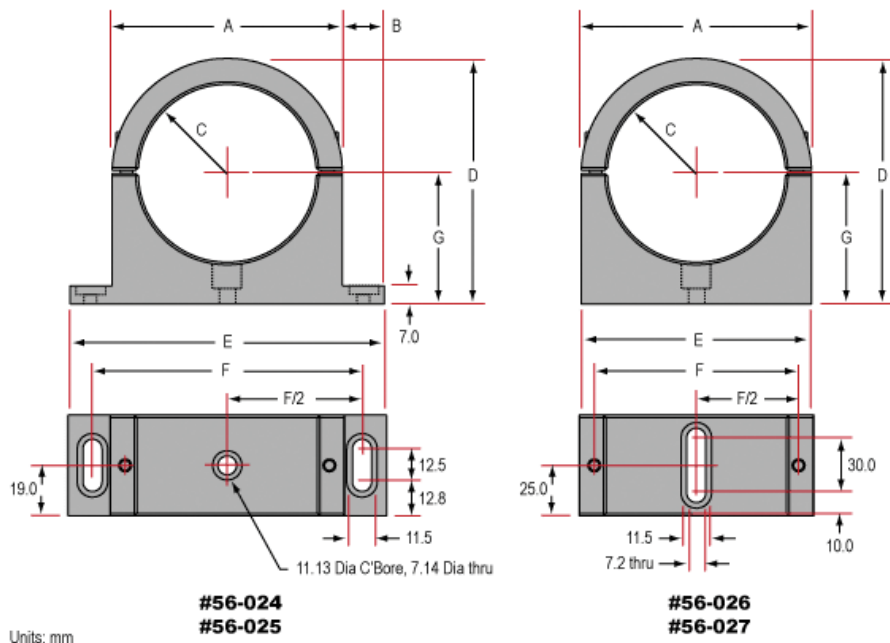
#58-256, 0.73X 1/2" GoldTL™ Telecentric Lens, Modulated Transfer Function (MTF) Plot, 110mm Working Distance, f10



#58-256, 0.73X 1/2" GoldTL™ Telecentric Lens, Depth of Field Plot, 110mm Working Distance, f10

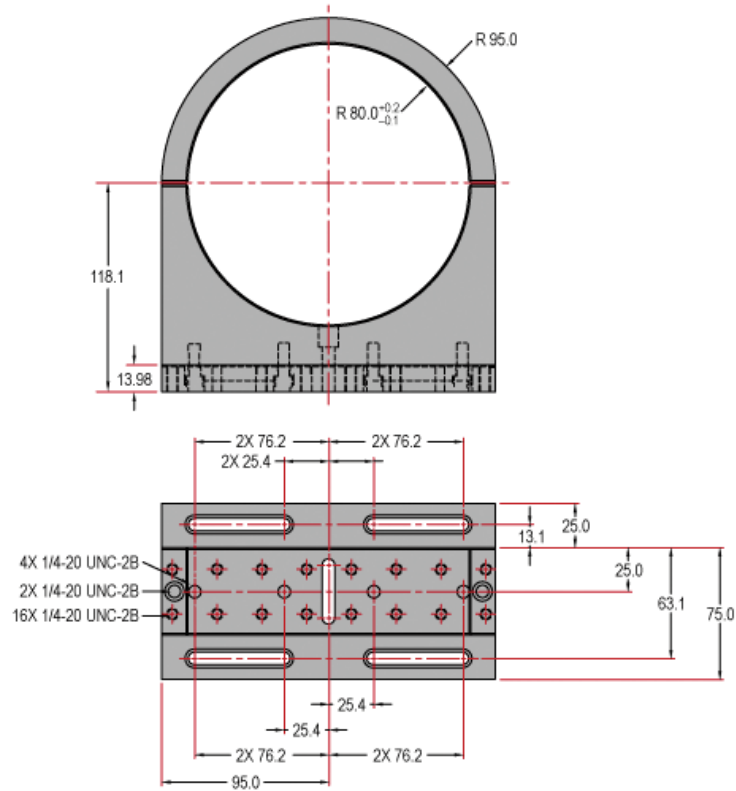
Stock No.	A	B	C	D	E	F	G
#56-024	88mm	16mm	34mm	94mm	120mm	101.6mm	50mm
#56-025	85mm	17.5mm	32.5mm	91mm	120mm	101.6mm	48.5mm
#56-026	103mm	—	39.5mm	107mm	103mm	90mm	55.5mm
#56-027	134mm	—	55mm	148mm	134mm	122mm	81mm

**Telecentric Lens Mounts**



Units: mm

**Telecentric Lens Mount for #56-948**



Units: mm