

TECHSPEC® 0.5X - 1.0X VariMagTL™ Telecentric Lens



VisionSystems



Innovators

Awards

SILVER

0.5X - 1.0X VariMagTL™ Telecentric Lens, #88-386



Stock **#88-386** **16 In Stock**

1 MRP ₹1,62,410

Price inclusive of all taxes

ADD TO CART

Volume Pricing	
Qty 1+	₹1,62,410 each
Need More?	Request Quote

Product Downloads

General

VariMag TC Series **Product Family:**

Telecentric Lens **Type:**

Variable Magnification Telecentric **Special Type of Lens:**

Physical & Mechanical Properties

Variable	Iris Option:
175.48	Length (mm):
50.8	Maximum Diameter (mm):
642	Weight (g):

Optical Properties

75 lp/mm @ >20%	Resolution:
11.00	Maximum Image Circle (mm):
<0.1	Typical Telecentricity @ 588nm (°):
<0.1	Typical Distortion @ 588nm (%):
0.5X - 1.0X	Primary Magnification PMAG:
100 - 115	Working Distance (mm):
17.6 x 13.2 - 8.8 x 6.6	FOV @ Max Sensor Format, H x V (mm):
f/6 - Closed	Aperture (f/#):
Variable	Depth of Field (mm):
VIS	Lens Wavelength Range:

Sensor

2/3"	Maximum Sensor Format:
2.74	Pixel Size (µm):

Threading & Mounting

M40.5 x 0.50 (Female)	Filter Thread:
C-Mount	Mount:

Regulatory Compliance

View	Certificate of Conformance:
China	Country of Origin:
Edmund Optics India Private Limited 267, Greystone Building, Second Floor, 6th Cross Rd, Binnamangala, Stage 1, Indiranagar, Bengaluru, Karnataka, India 560038 Phone: +91-80-6845 0000	Imported By:

Product Details

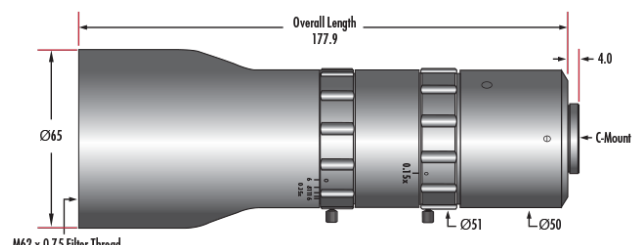
- Variable Magnification Telecentric Lens
- Up to 5 MegaPixels, 3.45µm Pixel Size Sensors
- 2/3", C-Mount Telecentric Lens
- Magnification from 0.15X to 3X

TECHSPEC® VariMagTL™ Telecentric Lenses are designed for applications that may require constant adjustment of a system's field of view. Each lens provides a range of magnifications that users can adjust or lock down with a set screw. With coverage for up to 2/3" format sensors, these telecentric lenses feature compact, C-mount compatible designs for easy system integration. TECHSPEC VariMagTL™ Telecentric Lenses also include an adjustable iris to control light throughput and improve image quality. These lenses are ideal for use in semiconductor or electronics inspection and [factory automation](#) applications.

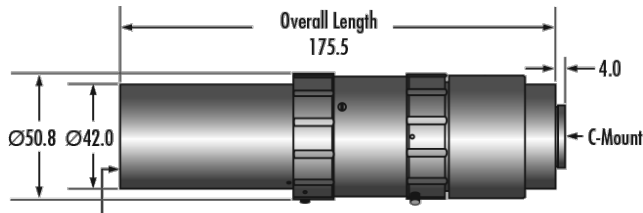
These lenses won the [Silver Level 2015 Innovators Award](#).

Note: Customized fixed versions are also available to meet volume requirements. Please contact [technical support](#) to discuss your specific requirements.

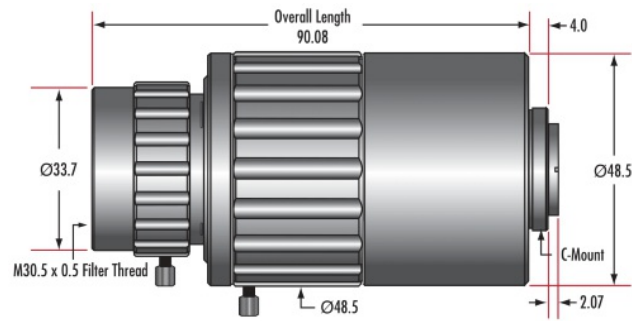
Technical Information



M62 x 0.75 Filter Thread
0.25X - 0.5X Telecentric VariMagTL™ Lens (#88-385)



M40.5 x 0.5 Filter Thread
0.5X - 1.0X Telecentric VariMagTL™ Lens (#88-386)



M30.5 x 0.5 Filter Thread
1.0X - 3.0X Telecentric VariMagTL™ Lens (#88-387)

0.25X-0.50X Telecentric Lens, #88-385						
Magnification	0.25X	0.30X	0.35X	0.40X	0.45X	0.50X
Working Distance (mm)	145	124.5	112	104	100.2	100.1
Field of View (mm)*	35.2	29.3	25.1	22	19.6	17.6
0.5X - 1.0X Telecentric Lens, #88-386						
Magnification	0.5X	0.6X	0.7X	0.8X	0.9X	1.0X
Working Distance (mm)	115	106	102	100	100	100
Field of View (mm)*	17.6	14.67	12.6	11	9.78	8.8
1.0X - 3.0X Telecentric Lens, #88-387						
Magnification	1.0X	1.5X	2.0X	2.5X	3.0X	
Working Distance (mm)	71.6	61	55.6	52.4	50.3	
Field of View (mm)*	8.8	5.87	4.4	3.5	2.93	